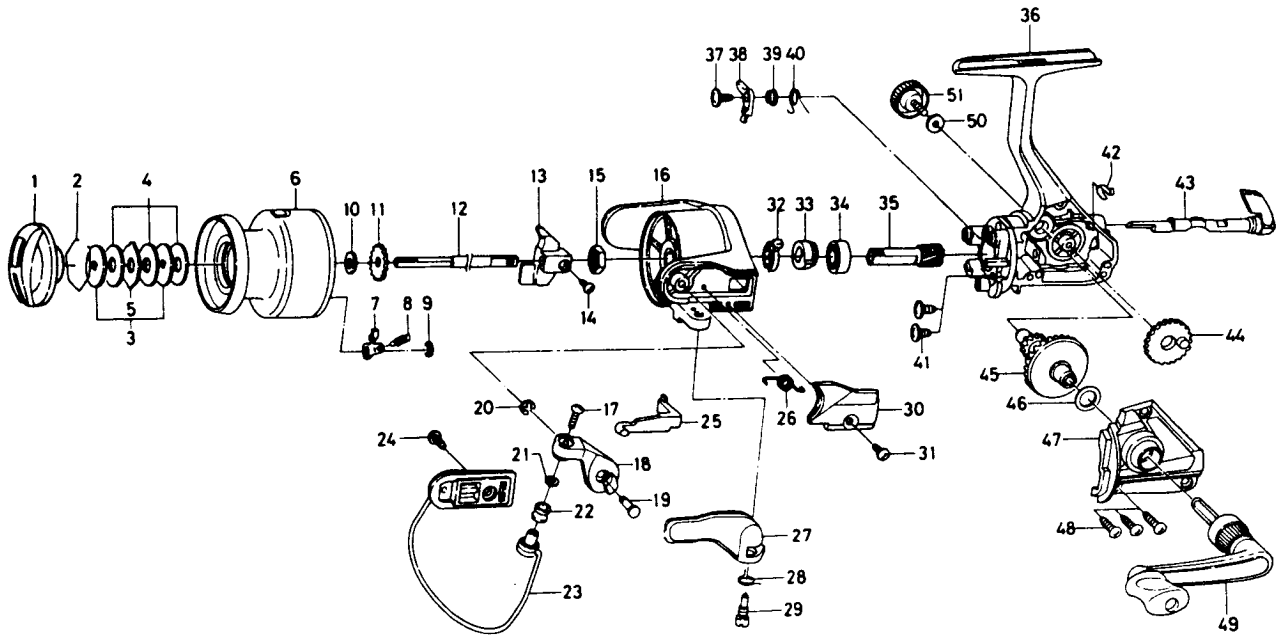


# SPINNING REEL — AG705XB



Key No. 2-9  
E50-1201 Spool assembly 6.50

Key No.	Part No.	Part Name	Price
1	E49-6901	Drag knob	3.60
2	171-7701	Drag washer retainer	.35
3	E46-7201	Key washer	.80
4	E13-6003	Drag washer	1.60
5	373-3603	Eared washer	.60
6	E50-1301	Spool assembly	N/A
7	B07-5304	Click pawl	.70
8	E40-3101	Click spring	.70
9	320-5901	Click retainer	.50
10	E46-7101	Spool washer	.60
11	270-6501	Click gear	.60
12	E49-8401	Main shaft	1.85
13	F12-2301	Oscillating slider	.70
14	351-0315	Oscillating slider screw	.50
15	341-9201	Rotor nut	.55
16	E50-0901	Rotor	3.90
17	B67-9304	Line roller screw	.40
18	E49-6701	Bail arm	1.15
19	E49-3501	Bail arm screw	.95
20	320-5901	Bail arm screw retainer	.50
21	B55-4301	Line roller washer	.40
22	L01-8201	Line roller	.90
23	E50-1101	Bail assembly	4.15
24	L01-1702	Bail trip cam screw	.35
25	E49-6401	Bail trip lever	.70
26	E49-6801	Bail spring	.60

Key No.	Part No.	Part Name	Price
27	E37-3601	Trigger lever	2.70
28	E36-9901	Trigger spring	.70
29	E37-0002	Trigger screw	1.50
30	E49-6301	Bail spring cover	.60
31	E36-4202	Bail spring cover screw	.60
32	F12-2101	Anti-reverse pawl spring A	1.65
33	E49-8501	Anti-reverse ratchet	1.90
34	634-1301	Ball bearing	6.95
35	F12-1601	Pinion gear	3.95
36	E49-9402	Body assembly	5.70
37	F12-5701	Anti-reverse pawl screw	.55
38	F12-1901	Anti-reverse pawl	.70
39	F12-3501	Anti-reverse pawl collar	.80
40	F12-3401	Anti-reverse pawl spring B	.60
41	E03-7801	Bearing retainer screw	.60
42	F12-2001	Anti-reverse cam spring	.55
43	F08-5104	Anti-reverse lever	1.65
44	F12-2201	Oscillating gear	.75
45	F12-1501	Drive gear	2.10
46	375-8502	Drive gear washer	.45
47	E49-9502	Side cover	1.75
48	E15-8602	Side cover screw	.60
49	E49-7401	Handle assembly	6.15
50	F02-0201	Handle lock washer	.35
51	B92-5004	Handle lock screw	.95