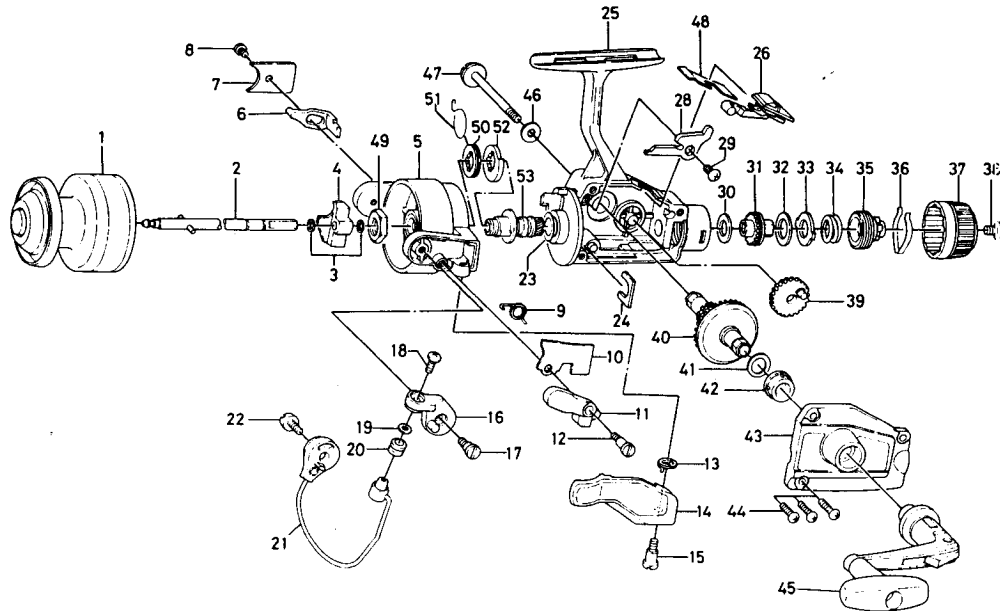


SPINNING REEL ASA1655/2055



Key No.	Parts No.	Parts Name	Key No.	Parts No.	Parts Name
1	B77-3201	Spool	32	B78-6601	Drag washer B
2	B77-0801	Main shaft	33	373-3603	Drag washer C
3	320-8202	Oscillating slider retainer	34	B91-3701	Drag knob spring
4	B77-0701	Oscillating slider	35	B77-0003	Drag screw
5	B82-1503	Rotor	36	B77-0301	Drag washer spring
6	B77-3701	Bail kick lever	37	B82-6801	Drag knob
7	B76-9701	Bail kick lever cover	38	352-1103	Drag knob screw
8	352-0402	Bail kick lever cover screw	39	B74-3701	Oscillating gear
9	B76-9101	Bail spring	40	B77-0601	Drive gear
10	B76-9201	Bail spring cover	41	373-7800	Drive gear washer
11	B76-9301	Trigger plate	42	B12-9002	Bearing
12	B68-8801	Bail spring cover screw A	43	B77-1006	Body cover
13	B67-5201	Trigger spring	44	351-5904	Body cover screw
14	B67-5102	Trigger lever	45	B91-1301	Handle
15	B68-8801	Trigger screw	46	372-3501	Handle washer
16	B67-4601	Arm lever	47	B11-5801	Handle screw
17	B67-4701	Arm lever screw	48	B79-0101	Anti-reverse lever spring
18	B67-9301	Bail screw	49	340-8301	Rotor nut
19	B55-4301	Bail washer	50	B89-8701	Spring holder
20	250-3921	Line roller	51	B89-8801	Anti-reverse claw spring
21	B77-3001	Bail	52	B76-8901	Ratchet
22	B68-8701	Bail holder screw	53	B89-4701	Pinion gear
23	372-8600	Rotor washer	ASA2055 Special Parts		
24	B60-3401	Pinion retainer	1	B77-1501	Spool
25	B76-8106	Body	5	B82-1703	Rotor
26	B84-8901	Anti-reverse lever	6	B76-9601	Bail kick lever
28	B89-9001	Anti-reverse claw	21	B76-9401	Bail
29	351-6102	Anti-reverse claw screw	25	B76-8105	Body
30	B46-9504	Drag washer A	43	B77-1005	Body cover
31	B76-9801	Click gear	45	B78-6601	Handle