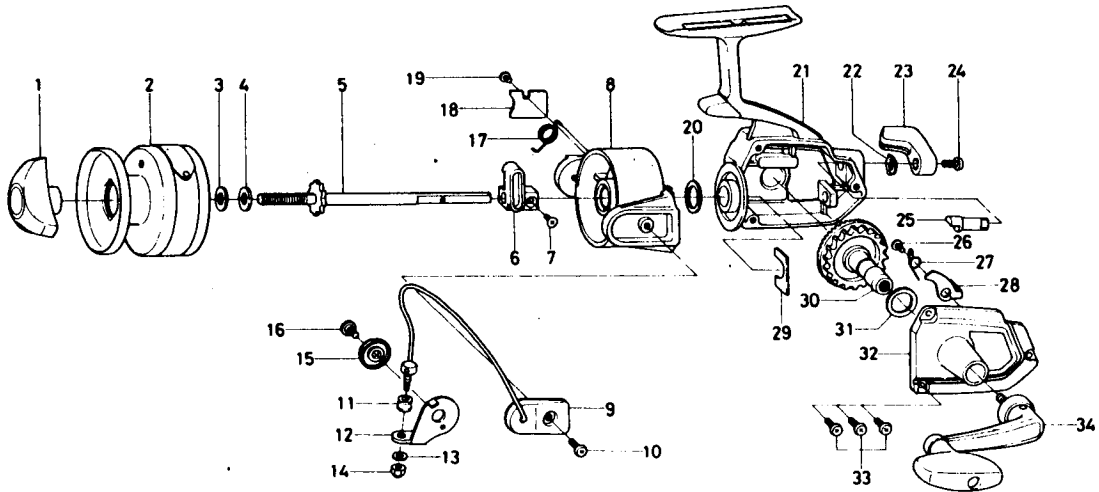


SPINNING REEL **B-130**



**LINE CAPACITY: 200 YDS. 8 LB. TEST (180m Dia. 0.27mm)**

Key No.	Parts No.	Parts Name
1	67402702	Drag knob
2	67315601	Spool assembly
3	63749000	Spool washer A
4	63749002	Spool washer B
5	67109901	Main shaft
6	64811111	Oscillating slider
7	63521501	Oscillating slider screw
8	67361301	Rotor
9	67256201	Bail
10	63516601	Bail holder screw
11	62501901	Line roller
12	62308812	Arm lever
13	61600121	Bail washer
14	63410801	Bail nut
15	61303201	Bail holder cap
16	63631901	Arm lever screw
17	61426711	Bail spring

Key No.	Parts No.	Parts Name
18	66341501	Bail spring cover
19	63511801	Bail spring cover screw
20	63728600	Rotor washer
21	67007502	Body
22	61501751	Anti-reverse lever washer
23	65413311	Anti-reverse lever
24	63518301	Anti-reverse lever screw
25	64607041	Anti-reverse cam
26	63517701	Anti-reverse claw screw
27	61442801	Anti-reverse claw spring
28	61114501	Anti-reverse claw
29	66326601	Pinion retainer
30	64133301	Drive gear
31	63712820	Drive gear washer
32	67061301	Body cover
33	63516401	Body cover screw
34	67462001	Handle