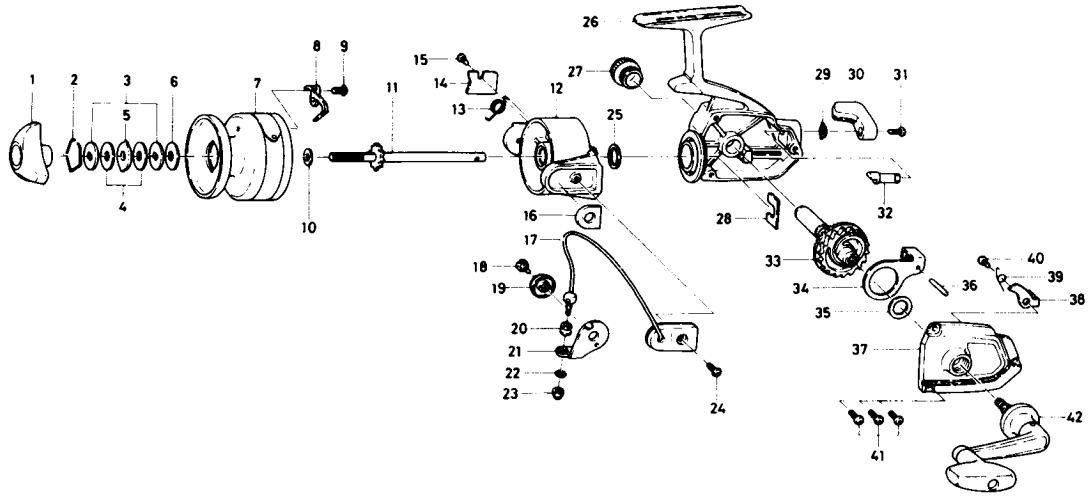


# SPINNING REEL B-130RL



**LINE CAPACITY: 200 YDS., 8 LB. TEST (185m. 3.6kg)**

Key No. 2 ~ 9

6-731-5603 Spool assembly \$6.35

Key No.	Parts No.	Parts Name	Price Per Piece	Key No.	Parts No.	Parts Name	Price Per Piece
1	6-740-2702	Drag knob	\$1.70	22	6-160-0121	Bail washer	\$ .10
2	6-170-4001	Drag washer retainer	.10	23	6-341-0801	Bail nut	.20
3	6-373-2502	Drag D washer	.15	24	6-351-6601	Bail holder screw	.10
4	6-374-2901	Disc washer	.20	25	6-372-8600	Rotor washer	.10
5	6-375-5301	Drag A washer	.15	26	6-701-0801	Body	4.00
6	6-370-6901	Drag washer A	.15	27	6-363-7401	Handle screw cap	.50
7	6-731-5702	Spool	N/A	28	6-632-6601	Pinion retainer	.10
8	6-030-4511	Spool click claw	.10	29	6-150-1751	Anti-reverse lever washer	.10
9	6-351-7701	Spool click claw screw	.10	30	6-541-3311	Anti-reverse lever	.15
10	6-374-9002	Spool washer	.10	31	6-351-8301	Anti-reverse lever screw	.10
11	6-711-3301	Main shaft	.95	32	6-460-7041	Anti-reverse cam	.20
12	6-736-1301	Rotor	2.65	33	6-413-8301	Drive gear	1.30
13	6-144-4901	Bail spring	.10	34	6-481-2301	Oscillating slider	.30
14	6-634-1501	Bail spring cover	.15	35	6-371-2820	Drive gear washer	.10
15	6-351-1801	Bail spring cover screw	.10	36	6-121-1211	Oscillating slider pin	.10
16	6-210-3701	Balancer	.35	37	6-706-7401	Body cover	2.20
17	6-725-6201	Bail	1.75	38	6-111-4501	Anti-reverse claw	.10
18	6-363-1901	Arm lever screw	.30	39	6-144-2801	Anti-reverse claw spring	.10
19	6-130-3201	Bail holder cap	.10	40	6-351-7701	Anti-reverse claw screw	.10
20	K-250-1901	Line roller	.30	41	6-351-8501	Body cover screw	.10
21	6-230-8812	Arm lever	.70	42	6-747-1301	Handle	2.25