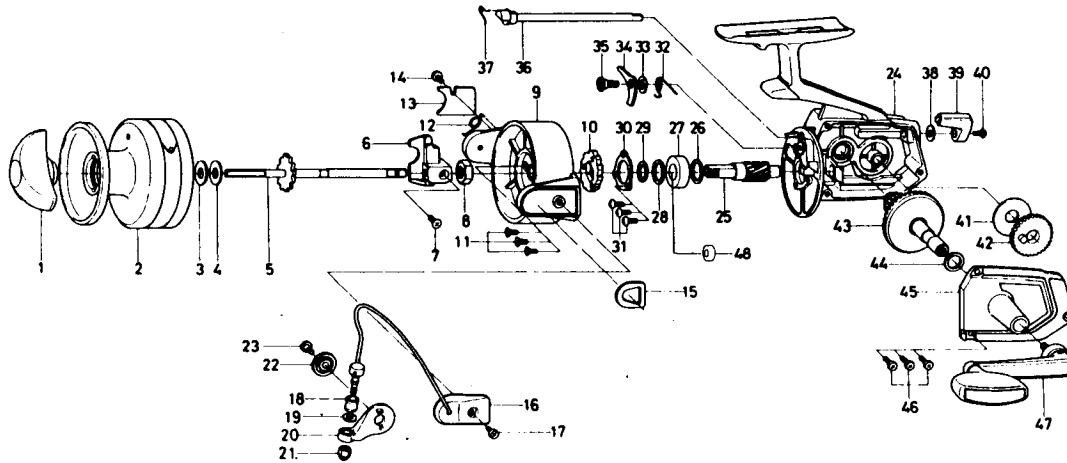


SPINNING REEL **B-400**



LINE CAPACITY: 300 YDS. 15 LB. TEST (275m Dia. 0.40mm)

Key No.	Parts No.	Parts Name	Key No.	Parts No.	Parts Name
1	60008233	Drag knob	25	64024611	Pinion
2	67309103	Spool assembly	26	63712822	Pinion adjusting washer
3	63712730	Spool washer A	27	66362611	Shaft Metal
4	63712732	Spool washer B	28	63728600	Pinion washer A
5	67102212	Main shaft	29	63712822	Pinion washer B
6	64811001	Oscillating slider	30	66347011	Pinion collar ret. washer
7	63518901	Oscillating slider screw	31	63516601	Pinion collar ret. washer screw
8	63408301	Rotor nut	32	61423421	Anti-reverse claw spring
9	62012211	Rotor	33	63732701	Anti-reverse claw washer
10	62804101	Ratchet	34	61109701	Anti-reverse claw
11	63520901	Ratchet screw	35	63624201	Anti-reverse claw screw
12	61435511	Bail spring	36	67106111	Anti-reverse cam
13	66330701	Bail spring cover	37	61440301	Anti-reverse cam spring
14	63501931	Bail spring cover screw	38	63732700	Anti-reverse lever washer
15	62103501	Balancer	39	65411901	Anti-reverse lever
16	67251214	Bail	40	63522501	Anti-reverse lever screw
17	63516401	Bail holder screw	41	63745401	Oscillating gear washer
18	62502801	Line roller	42	64123601	Oscillating gear
19	63734501	Bail washer	43	64133111	Drive gear
20	62308121	Arm lever	44	63712820	Drive gear washer
21	63408501	Bail nut	45	67060801	Body cover
22	61303201	Bail holder cap	46	63518501	Body cover screw
23	63631901	Arm lever screw	47	67459701	Handle
24	67007401	Body	48	65015101	Pinion Collar