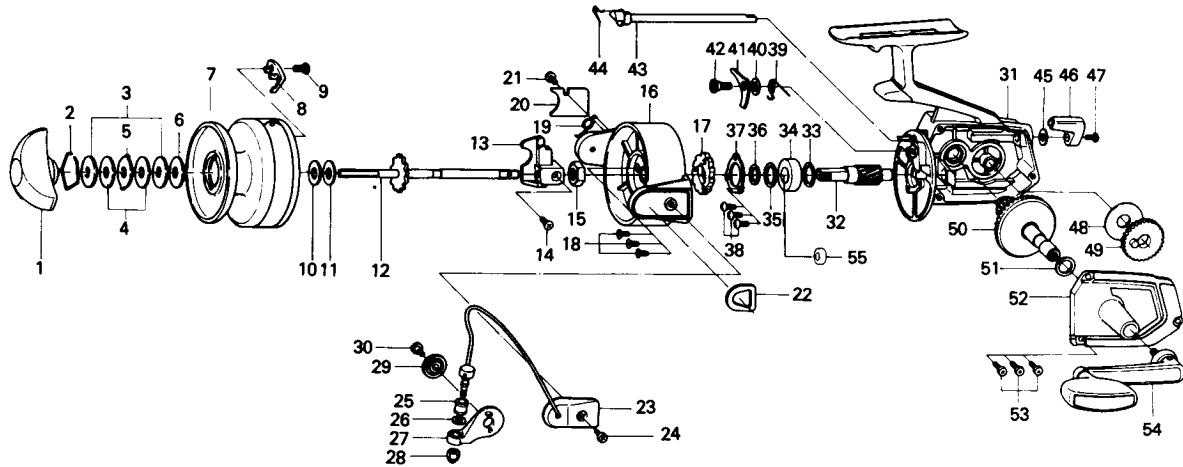


SPINNING REEL B-400



LINE CAPACITY: 300 YDS., 15 LB. TEST (270m. 6.8kg)

Key No. 2 ~ 9

6-730-9108 Spool assembly \$10.85

Key No.	Parts No.	Parts Name	Price Per Piece	Key No.	Parts No.	Parts Name	Price Per Piece
1	6-000-8233	Drag knob	\$2.15	29	6-130-3201	Bail holder cap	\$.10
2	6-170-4511	Drag washer retainer	.10	30	6-363-1901	Arm lever screw	.30
3	6-372-7812	Drag D washer	.15	31	6-700-7401	Body	6.50
4	6-372-9011	Disc washer	.40	32	6-402-4611	Pinion gear	1.85
5	6-375-5401	Drag A washer	.15	33	6-371-2822	Pinion adjusting washer	.10
6	6-372-7701	Drag washer A	.15	34	6-636-2611	Shaft metal	1.15
7	6-730-3522	Spool	N/A	35	6-372-8600	Pinion washer B	.10
8	6-030-4411	Spool click claw	.15	36	6-371-2822	Pinion washer A	.10
9	6-351-6102	Spool click claw screw	.10	37	6-634-7011	Pinion collar ret. washer	.25
10	6-371-2730	Spool adjusting washer	.10	38	6-351-6601	Pinion collar ret. washer screw	.10
11	6-371-2732	Spool washer	.10	39	6-142-3421	Anti-reverse claw spring	.15
12	6-710-2214	Main shaft	1.10	40	6-373-2701	Anti-reverse claw washer	.10
13	6-481-1011	Oscillating slider	.60	41	6-110-9701	Anti-reverse claw	.60
14	6-351-8901	Oscillating slider screw	.10	42	6-362-4211	Anti-reverse claw screw	.25
15	6-340-8301	Rotor nut	.20	43	6-710-6111	Anti-reverse cam	1.20
16	6-201-2222	Rotor	3.90	44	6-144-0301	Anti-reverse cam spring	.15
17	6-280-4101	Ratchet	.65	45	6-373-2700	Anti-reverse lever washer	.10
18	6-352-0901	Ratchet screw	.10	46	6-541-1901	Anti-reverse lever	.15
19	6-144-2201	Bail spring	.10	47	6-352-2501	Anti-reverse lever screw	.10
20	6-633-0701	Bail spring cover	.15	48	6-374-5401	Oscillating gear washer	.10
21	6-350-1931	Bail spring cover screw	.10	49	6-412-3601	Oscillating gear	.35
22	6-210-3501	Balancer	.35	50	6-413-3121	Drive gear	2.30
23	6-725-1214	Bail	2.95	51	6-371-2820	Drive gear washer	.10
24	6-351-6401	Bail holder screw	.10	52	6-706-0802	Body cover	2.40
25	6-250-2801	Line roller	.30	53	6-351-8501	Body cover screw	.10
26	6-373-4501	Roller collar	.25	54	6-746-3901	Handle	3.05
27	6-230-8121	Arm lever	1.40	55	6-501-5101	Pinion collar	.70
28	6-340-8501	Bail nut	.40				