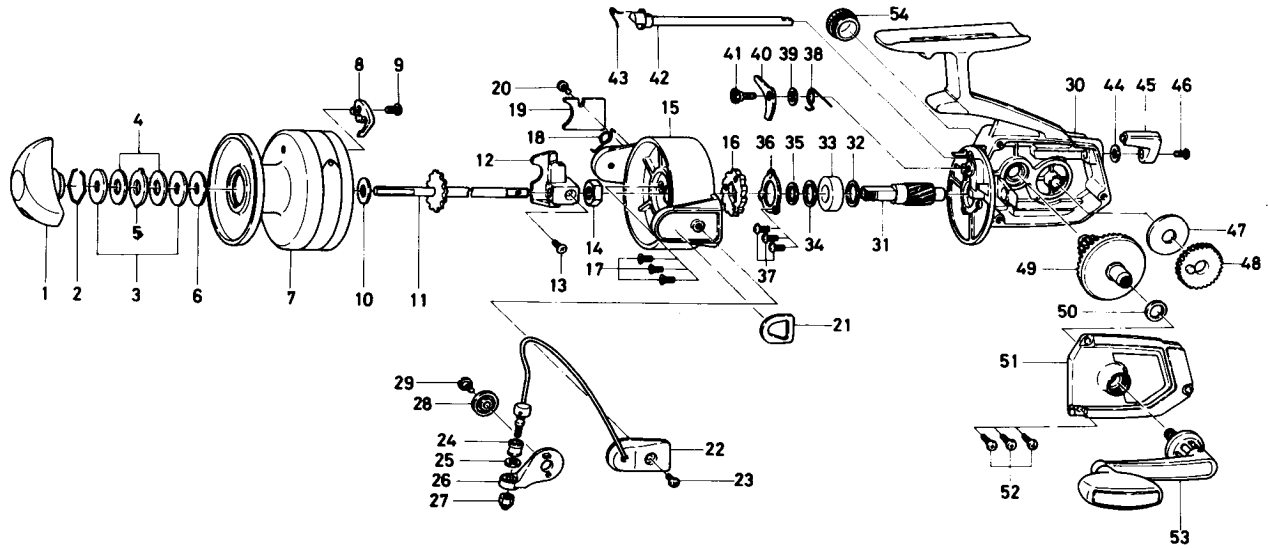


SPINNING REEL B-400RL



LINE CAPACITY: 300 YDS., 15 LB. TEST (270m. 6.8kg)

Key No. 2 ~ 9

6-733-0501 Spool assembly \$10.85

| Key No. | Parts No. | Parts Name | Price Per Piece | Key No. | Parts No. | Parts Name | Price Per Piece |
|---------|------------|--------------------------|-----------------|---------|------------|---------------------------------|-----------------|
| 1 | 6-000-8241 | Drag knob | \$2.15 | 28 | 6-130-3201 | Bail holder cap | \$.10 |
| 2 | 6-170-4511 | Drag washer retainer | .10 | 29 | 6-363-1901 | Arm lever screw | .30 |
| 3 | 6-372-7812 | Drag D washer | .15 | 30 | 6-701-1001 | Body | 6.50 |
| 4 | 6-372-9011 | Disc washer | .40 | 31 | 6-402-4611 | Pinion gear | 1.85 |
| 5 | 6-375-5401 | Drag A washer | .15 | 32 | 6-371-2822 | Pinion adjusting washer | .10 |
| 6 | 6-372-7701 | Drag washer A | .15 | 33 | 6-632-2611 | Shaft metal | 1.15 |
| 7 | 6-733-0601 | Spool | N/A | 34 | 6-371-2822 | Pinion washer B | .10 |
| 8 | 6-030-4411 | Spool click claw | .15 | 35 | 6-372-8600 | Pinion washer A | .10 |
| 9 | 6-351-6102 | Spool click claw screw | .10 | 36 | 6-634-7011 | Pinion collar ret. washer | .25 |
| 10 | 6-371-2730 | Spool washer | .10 | 37 | 6-351-6601 | Pinion collar ret. washer screw | .10 |
| 11 | 6-710-2214 | Main shaft | 1.10 | 38 | 6-142-3421 | Anti-reverse claw spring | .15 |
| 12 | 6-481-1011 | Oscillating slider | .60 | 39 | 6-373-2701 | Anti-reverse claw washer | .10 |
| 13 | 6-351-8901 | Oscillating slider screw | .10 | 40 | 6-110-9701 | Anti-reverse claw | .60 |
| 14 | 6-340-8301 | Rotor nut | .20 | 41 | 6-362-4211 | Anti-reverse claw screw | .25 |
| 15 | 6-201-2222 | Rotor | 3.90 | 42 | 6-710-6111 | Anti-reverse cam | 1.20 |
| 16 | 6-280-4101 | Ratchet | .65 | 43 | 6-144-0301 | Anti-reverse cam spring | .15 |
| 17 | 6-352-0901 | Ratchet screw | .10 | 44 | 6-373-2700 | Anti-reverse lever washer | .10 |
| 18 | 6-144-2201 | Bail spring | .10 | 45 | 6-541-1902 | Anti-reverse lever | .15 |
| 19 | 6-633-0701 | Bail spring cover | .15 | 46 | 6-352-2501 | Anti-reverse lever screw | .10 |
| 20 | 6-351-1801 | Bail spring cover screw | .10 | 47 | 6-374-5400 | Oscillating gear washer | .10 |
| 21 | 6-210-3501 | Balancer | .35 | 48 | 6-412-3611 | Oscillating gear | .35 |
| 22 | 6-725-1214 | Bail | 2.95 | 49 | 6-413-8501 | Drive gear | 2.30 |
| 23 | 6-351-6401 | Bail holder screw | .10 | 50 | 6-371-2820 | Drive gear washer | .10 |
| 24 | 6-250-2811 | Line roller | .30 | 51 | 6-706-7601 | Body cover | 2.40 |
| 25 | 6-373-4501 | Roller collar | .25 | 52 | 6-351-8501 | Body cover screw | .10 |
| 26 | 6-230-8121 | Arm lever | 1.40 | 53 | 6-747-1501 | Handle | N/A |
| 27 | 6-340-8501 | Bail nut | .40 | 54 | 6-363-7401 | Handle screw cap | .50 |