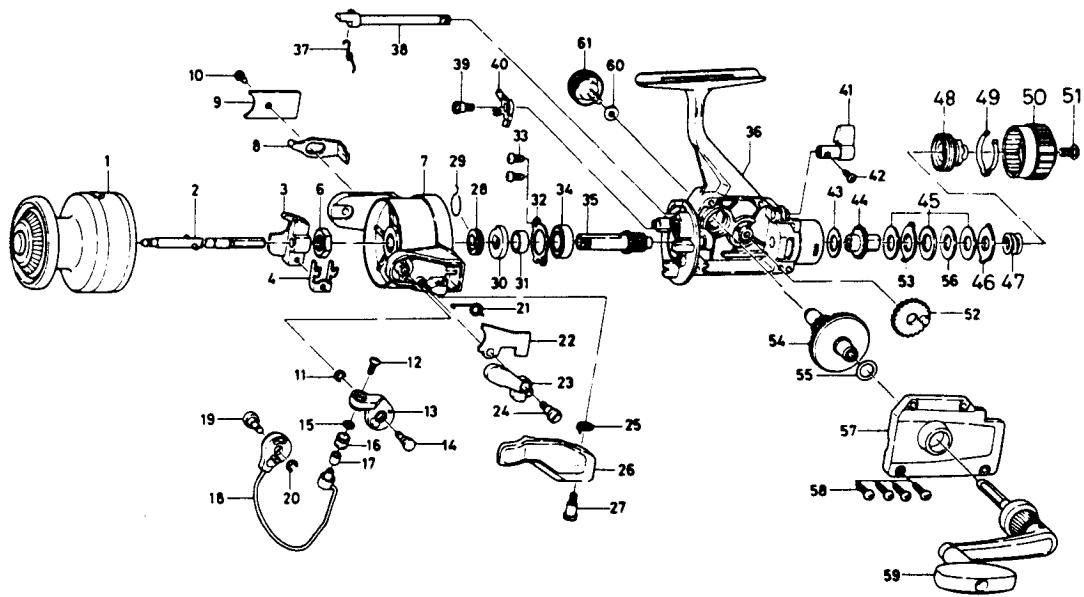


SPINNING REEL – BW1655/2055



Key No.	Part No.	Part Name	Price
1	K10-8503	Spool	7.50
2	B83-9801	Main shaft	1.50
3	E08-7801	Oscillating slider	.70
4	B93-7202	Oscillating slider retainer	.50
6	B10-5701	Rotor nut	.65
7	B82-1904	Rotor	5.25
8	B83-6701	Bail trip lever	1.25
9	B76-9701	Bail trip cover	.50
10	B83-4402	Bail trip cover screw	.50
11	320-5901	Bail arm screw retainer	.50
12	B67-9302	Line roller screw	.40
13	B67-4601	Bail arm	1.35
14	B83-3801	Bail arm screw	.70
15	B55-4301	Line roller washer A	.40
16	250-3921	Line roller	.90
17	B45-1501	Line roller bushing	.60
18	K10-7702	Bail	4.10
19	B83-4202	Bail trip cam screw	1.25
20	320-5901	Bail trip cam screw retainer	.50
21	K04-9901	Bail spring	.60
22	B83-6402	Bail spring cover	.55
23	B76-9301	Trigger plate	1.45
24	K03-7302	Bail spring cover screw	.90
25	B67-5201	Trigger spring	.60
26	B67-5107	Trigger lever	2.50
27	K03-7302	Trigger screw	.90
28	B68-6401	Spring holder	.90
29	145-0902	Anti-reverse pawl spring	.50
30	B67-4301	Anti-reverse ratchet	.80
31	K03-1701	Spacing sleeve	.50
32	B35-6301	Bearing retainer	.60
33	B83-4402	Bearing retainer screw	.50
34	B54-6001	Bail bearing	7.70
35	K10-5502	Pinion gear	2.60
36	K09-8201	Body	7.50

Key No.	Part No.	Part Name	Price
37	144-0321	Anti-reverse cam spring	.50
38	B83-6001	Anti-reverse cam	.90
39	K03-2901	Anti-reverse pawl screw	.75
40	K02-3301	Anti-reverse pawl	.80
41	E08-6101	Anti-reverse lever	1.20
42	B12-8201	Anti-reverse lever screw	.50
43	B46-9505	Drag washer A	.45
44	B76-9803	Click gear	.70
45	E14-3301	Drag washer B	.65
46	B83-9501	Eared washer A	.55
47	K02-6701	Drag coil spring	.80
48	B77-0004	Drag screw	.95
49	B77-0301	Drag washer spring	.45
50	K05-0204	Drag knob	1.80
51	352-1107	Drag knob spring screw	.55
52	B74-3701	Oscillating gear	.70
53	K05-0301	Eared washer B	.55
54	K10-5601	Drive gear	2.45
55	373-7808	Drive gear washer	.40
56	E02-4401	Key washer	.60
57	K05-2407	Side cover	3.50
58	B83-5002	Side cover screw	.60
59	K07-5801	Handle	7.15
60	B92-4902	Handle lock washer	.35
61	B92-5001	Handle lock screw	.80

BW2055 Special Parts:

1	K10-8603	Spool	8.00
7	B82-2103	Rotor	5.75
8	B83-7301	Bail trip lever	1.30
18	K10-7902	Bail	4.50
36	K09-8202	Body	7.50
57	K09-8402	Side cover	3.50
59	E00-2802	Handle	7.00