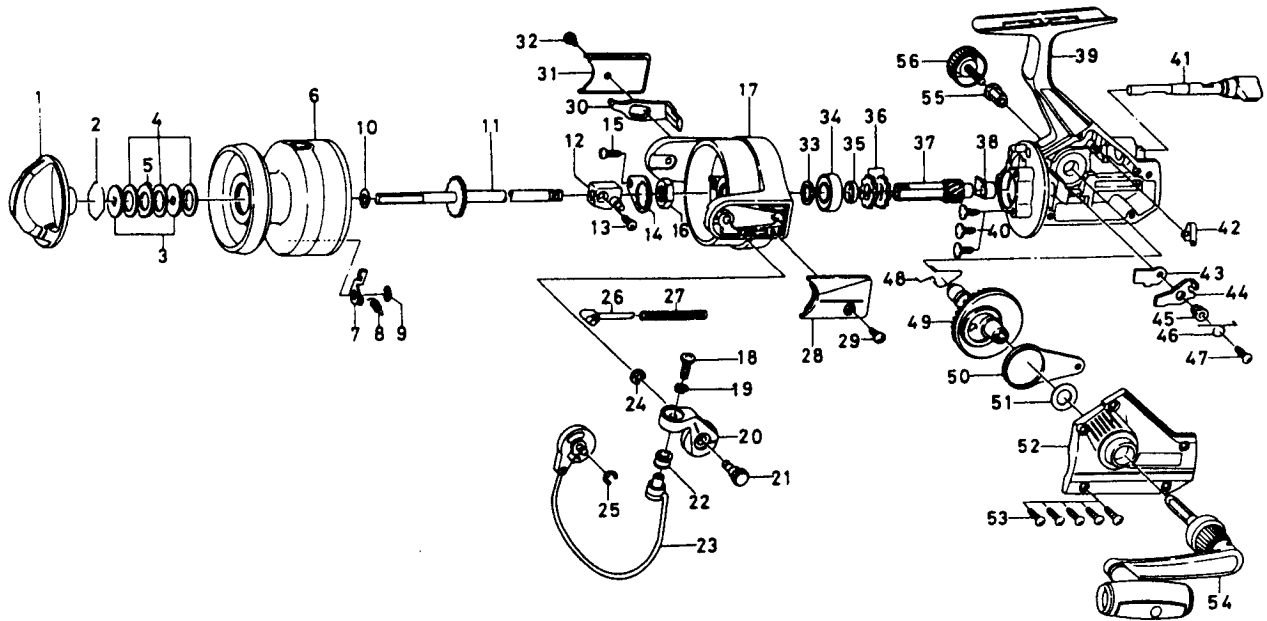


SPINNING REEL — BW7000 / 9000



Key No. 2-9

K08-4503 Spool assembly 9.50

Key

Key No.	Part No.	Part Name	Price
1	K12-3905	Drag knob	4.60
2	171-7701	Drag washer retainer	.35
3	L01-8002	Key washer	.55
4	375-7802	Drag washer	.95
5	B89-9501	Eared washer	.60
6	K08-4503	Spool assembly	N/A
7	B07-8201	Click pawl	.85
8	K12-6401	Click pawl spring	.55
9	320-1402	Click pawl retainer	.55
10	K08-1901	Spool washer	.45
11	K08-1401	Main shaft assembly	2.50
12	K07-2001	Oscillating slider	2.30
13	351-8901	Oscillating slider screw	.55
14	B02-1601	Rotor nut holding plate	.80
15	L01-1702	Rotor nut holding plate screw	.35
16	K07-1601	Rotor nut	.50
17	K07-0907	Rotor	7.70
18	353-9702	Line roller screw	.60
19	160-8101	Lock washer	.45
20	K06-6701	Bail arm	3.00
21	K12-0401	Bail arm screw	.95
22	250-4221	Line roller	1.05
23	K08-1201	Bail	4.75
24	320-1402	Bail arm screw retainer	.55
25	320-1402	Bail trip cam retainer	.55
26	K12-0601	Bail spring shaft	.75
27	K12-0701	Bail spring	.60
28	K07-1401	Bail spring cover	.90
29	K07-1501	Bail spring cover screw	.50
30	K07-1001	Bail trip lever	1.50
31	K07-1101	Bail trip cover	1.10
32	K07-1501	Bail trip cover screw	.50

Key

Key No.	Part No.	Part Name	Price
33	B90-9201	Bearing washer	.45
34	637-6101	Ball bearing	9.85
35	K07-0801	Spacing sleeve	.70
36	E26-2701	Anti-reverse ratchet	1.10
37	K07-0701	Pinion gear	6.70
38	K07-0601	Pinion holder	.80
39	K08-0704	Body assembly	12.00
40	B84-2102	Bearing retainer screw	.50
41	K11-9001	Anti-reverse lever	1.95
42	B58-8601	Anti-reverse cam spring	.50
43	K11-8601	Anti-reverse pawl plate	.90
44	K11-8701	Anti-reverse pawl	1.40
45	K11-8801	Anti-reverse pawl collar	.85
46	K11-8901	Anti-reverse pawl spring A	.45
47	K08-7802	Anti-reverse pawl screw	.50
48	K08-8101	Anti-reverse pawl spring B	.50
49	K11-5901	Drive gear	3.80
50	L00-7901	Oscillating support	1.20
51	371-2824	Drive gear washer	.40
52	K12-8901	Side cover	4.65
53	K08-7801	Side cover screw	.60
54	K08-2401	Handle assembly	8.90
55	501-8401	Handle collar	.75
56	L00-9102	Handle lock screw	1.25

BW9000 Special Parts:

2-9	K08-4403	Spool assembly	10.50
17	K08-2525	Rotor	8.70
23	K08-2601	Bail	5.00
39	K12-8802	Body assembly	12.00
52	K12-8902	Side cover	4.65