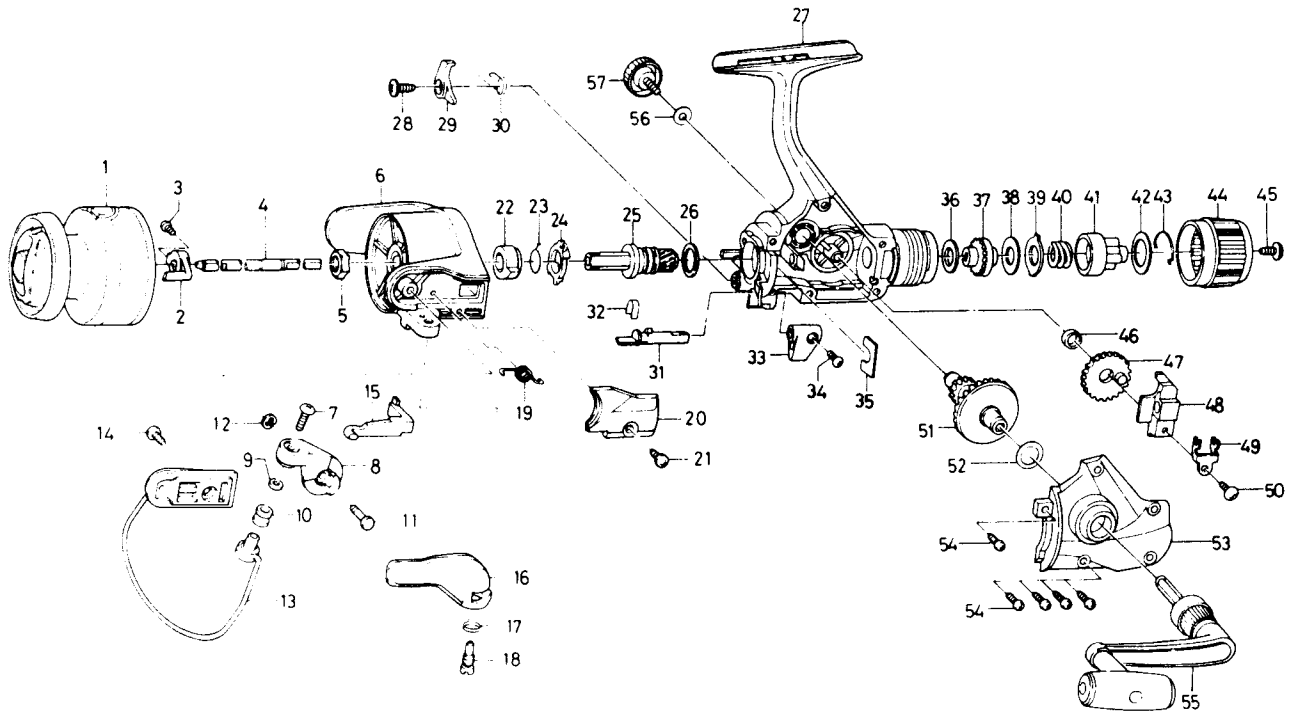


# SPINNING REEL EG1655X

Please order by part number, not key number.



Key NO.	Parts No.	Parts Name	Key NO.	Parts No.	Parts Name
1	F20-3101	Spool assembly	30	F19-9801	Anti-reverse pawl spring B
2	F20-1602	Spool metal	31	F19-5101	Anti-reverse cam
3	351-1001	Spool metal screw	32	F19-5201	Anti-reverse cam spring
4	F20-0102	Main shaft	33	F19-4901	Anti-reverse lever
5	340-6602	Rotor nut	34	B64-6601	Anti-reverse lever screw
6	F11-0901	Rotor	35	632-6601	Pinion retainer
7	B67-9304	Line roller screw	36	B46-9505	Drag washer A
8	E49-4101	Bail arm	37	B76-9804	Click gear
9	B55-4301	Line roller washer	38	B78-6602	Drag washer B
10	L01-8201	Line roller	39	BB3-9501	Eared washer
11	E49-3501	Bail arm screw	40	F06-2301	Drag coil spring
12	320-5901	Bail arm screw retainer	41	F20-0501	Drag collar
13	F17-0301	Bail assembly	42	L11-0101	Drag collar washer
14	L01-1701	Bail trip cam screw	43	L08-0701	Drag washer spring
15	E46-2101	Bail trip lever	44	F20-2901	Drag knob
16	F11-0601	Trigger lever	45	E03-7802	Drag knob screw
17	E36-9901	Trigger spring	46	F13-1601	Oscillating gear collar
18	E37-0001	Trigger screw	47	E46-1501	Oscillating gear
19	F22-2601	Bail spring	48	F19-9201	Oscillating slider
20	E49-2501	Bail spring cover	49	F20-0201	Oscillating slider retainer
21	E36-4201	Bail spring cover screw	50	351-0901	Oscillating slider screw
22	F24-8901	Anti-reverse ratchet	51	E46-1701	Drive gear
23	F20-1101	Anti-reverse pawl spring A	52	373-7800	Drive gear washer
24	F20-1001	Spring holder	53	F20-2805	Side cover
25	E48-6201	Pinion gear	54	E15-8602	Side cover screw
26	372-8600	Pinion washer	55	L01-1102	Handle assembly
27	F20-2707	Body assembly	56	B92-4902	Handle lock washer
28	E00-7101	Anti-reverse pawl screw	57	B92-5001	Handle lock screw
29	F19-9901	Anti-reverse pawl			