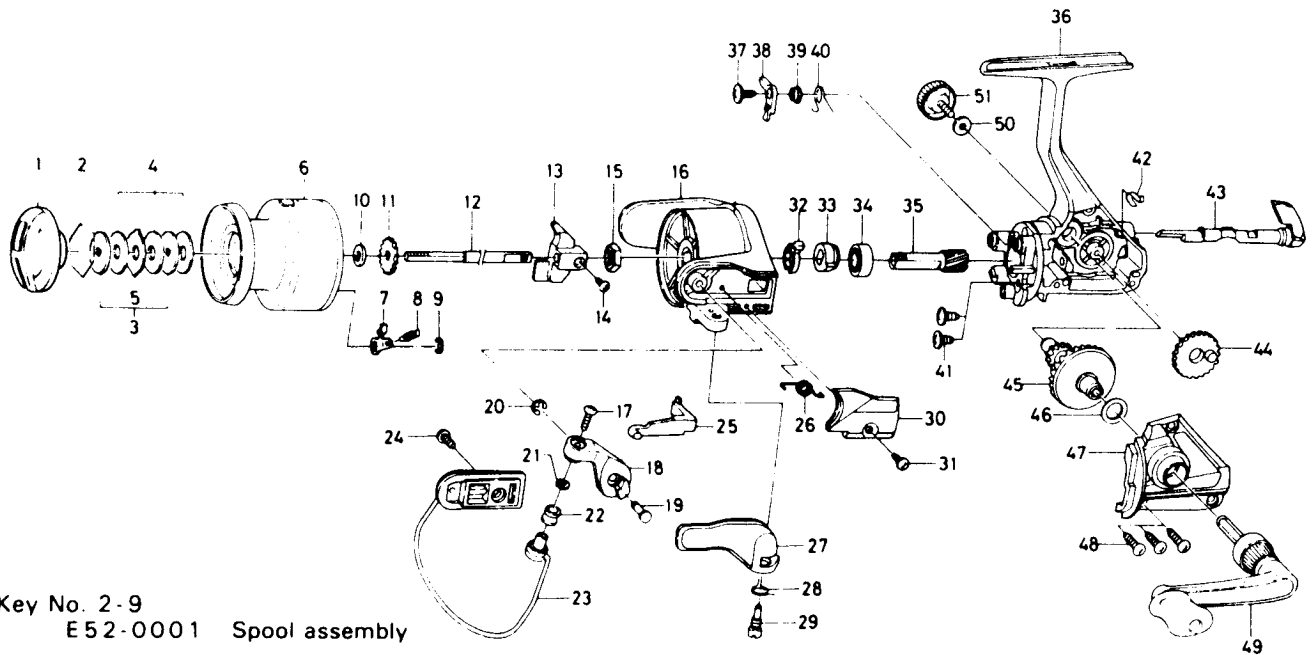


# SPINNING REEL — EL705X



Key No. 2-9  
E52-0001 Spool assembly

Key No.	Parts No.	Parts Name	Key No.	Parts No.	Parts Name
1	E51-9702	Drag knob	27	E37-3601	Trigger lever
2	171-7701	Drag washer retainer	28	E36-9901	Trigger spring
3	E46-7201	Key washer	29	E37-0001	Trigger screw
4	E13-6001	Drag washer	30	E49-6301	Bail spring cover
5	373-3603	Eared washer	31	E36-4201	Bail spring cover screw
6	E51-9901	Spool assembly	32	F12-2101	Anti-reverse pawl spring A
7	B07-5304	Click pawl	33	E49-8501	Anti-reverse ratchet
8	E40-3101	Click spring	34	634-1301	Ball bearing
9	320-5901	Click retainer	35	F12-1601	Pinion gear
10	E46-7101	Spool washer	36	F17-0201	Body assembly
11	270-6501	Click gear	37	F12-5701	Anti-reverse pawl screw
12	E49-8401	Main shaft	38	F12-1901	Anti-reverse pawl
13	F12-2301	Oscillating slider	39	F12-3501	Anti-reverse pawl collar
14	351-0311	Oscillating block screw	40	F12-3401	Anti-reverse pawl spring B
15	341-9201	Rotor nut	41	E03-7801	Bearing retainer screw
16	E50-0904	Rotor	42	F12-2001	Anti-reverse cam spring
17	B67-9305	Line roller screw	43	F08-5116	Anti-reverse lever
18	E49-6701	Bail arm	44	F12-2201	Oscillating gear
19	E49-3501	Bail arm screw	45	F12-1501	Drive gear
20	320-5901	Bail arm screw retainer	46	375-8500	Drive gear washer
21	B55-4301	Line roller washer	47	F19-9001	Side cover
22	L01-8201	Line roller	48	E15-8601	Side cover screw
23	F17-0101	Bail assembly	49	E49-7401	Handle assembly
24	L01-1701	Bail trip cam screw	50	F02-0202	Handle lock washer
25	E49-6401	Bail trip lever	51	B92-5005	Handle lock screw
26	E49-6801	Bail spring			