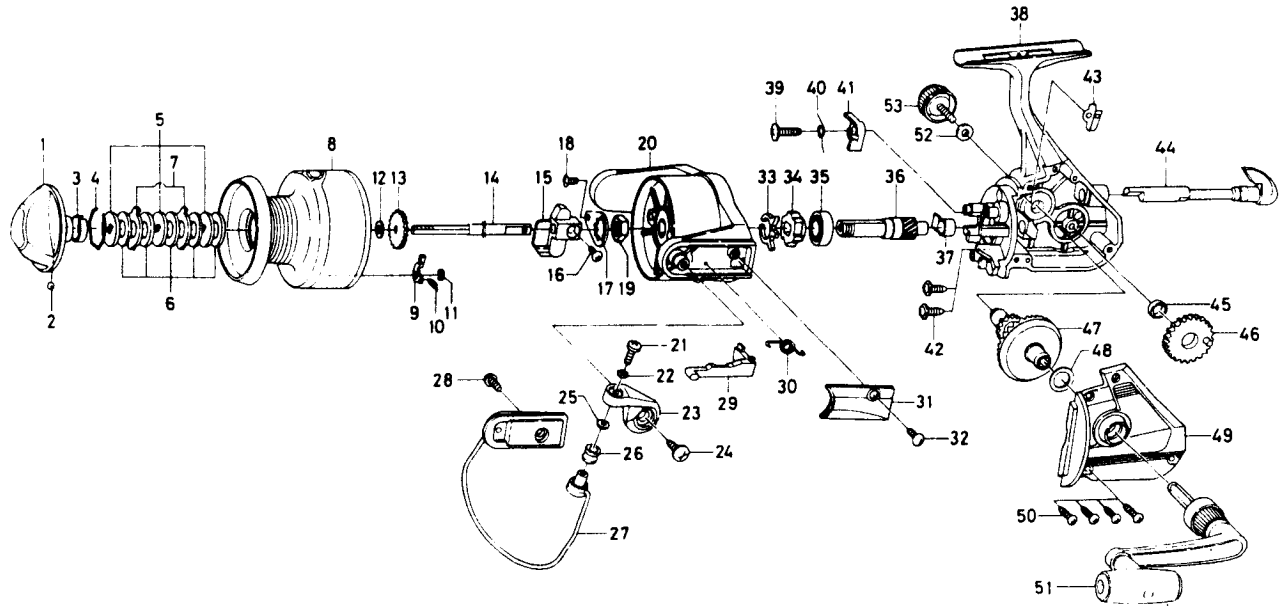


## SPINNING REEL — EL9000



### Key No. 4-11

Key No.	Part No.	Part Name	Price
	L12-2901	Spool assembly	15.00
1	L10-8602	Drag knob	6.90
2	635-4701	Click bail	.60
3	B32-8701	Click leaf spring	.95
4	171-7701	Drag washer retainer	.35
5	L03-1301	Key washer	.55
6	375-9802	Drag washer	.60
7	B89-9501	Eared washer	.60
8	L12-3001	Spool assembly	N/A
9	B07-8201	Click pawl	.85
10	145-2101	Click spring	.40
11	320-1402	Click retainer	.55
12	L11-9101	Spool washer	.35
13	L11-8501	Click gear	.95
14	L11-9501	Main shaft	3.60
15	L11-4801	Oscillating slider	2.50
16	351-8901	Oscillating slider screw	.55
17	B02-1601	Rotor nut holding plate	.80
18	L01-1702	Rotor nut holding plate screw	.35
19	340-8301	Rotor nut	.60
20	L11-7201	Rotor	11.95
21	353-9702	Line roller screw	.60
22	160-8101	Lock washer	.45
23	L10-5001	Bail arm	1.15
24	E00-7601	Bail arm screw	.45
25	373-4501	Line roller washer	.35
26	250-4221	Line roller	1.05
27	L12-2502	Ball assembly	8.85

### Key

Key No.	Part No.	Part Name	Price
28	L01-1701	Bail trip cam screw	.35
29	L11-7301	Bail trip lever	1.65
30	L06-7001	Bail spring	.60
31	L11-5601	Bail spring cover	.65
32	E36-4201	Bail spring cover screw	.60
33	L07-0701	Anti-reverse pawl spring A	.75
34	L09-1701	Anti-reverse ratchet	2.30
35	L03-6401	Ball bearing	9.50
36	L11-4401	Pinion gear	7.90
37	L00-6001	Pinion collar	.80
38	L12-2202	Body assembly	16.50
39	L06-6501	Anti-reverse pawl screw	.50
40	L06-6401	Anti-reverse pawl spring B	.60
41	L07-8601	Anti-reverse pawl	1.00
42	L01-1601	Bearing retainer screw	.40
43	E01-1801	Anti-reverse cam spring	.55
44	L10-0704	Anti-reverse lever	4.60
45	B47-4101	Oscillating gear collar	.70
46	L11-4701	Oscillating gear	3.20
47	L07-1701	Drive gear	5.50
48	371-2822	Drive gear washer	.45
49	L11-5107	Side cover	7.75
50	B83-5001	Side cover screw	.60
51	L01-2902	Handle assembly	9.60
52	L02-2301	Handle lock washer	.45
53	L00-9102	Handle lock screw	1.25