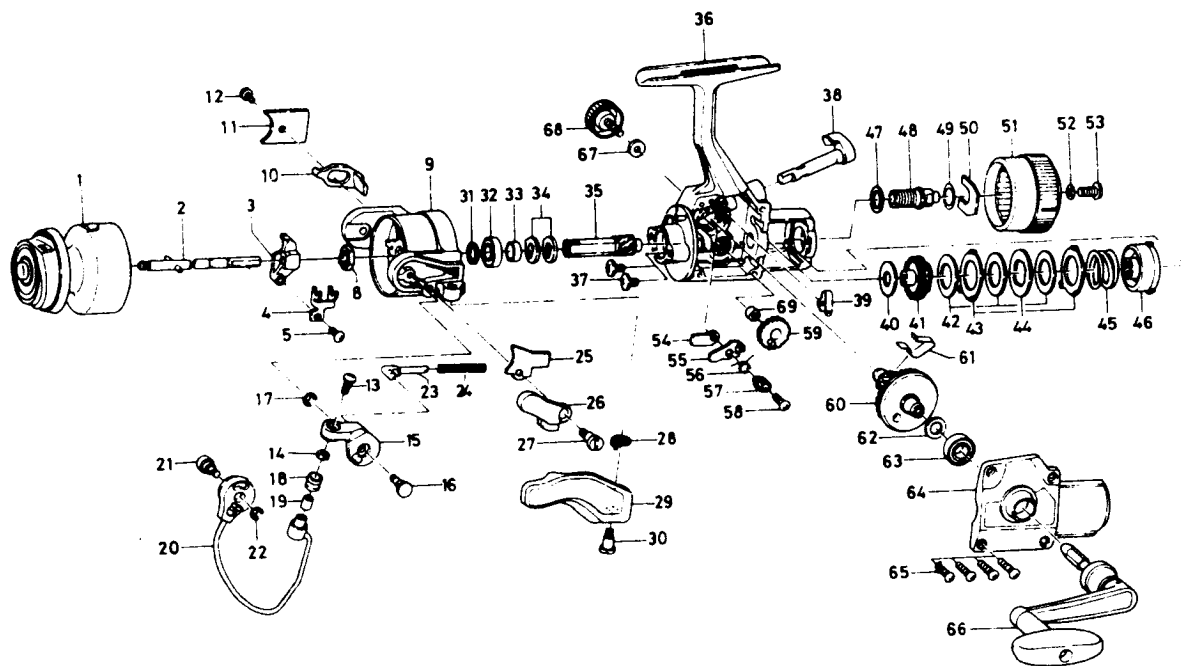


SPINNING REEL G1355TH/1655TH



Key No.	Parts No.	Parts Name	Key No.	Parts No.	Parts Name
1	E38-4101	Spool assembly	40	E21-4801	Drag washer A
	E38-7601	Spool assembly (Extra Spool)	41	E35-6701	Click gear
2	E23-0801	Main shaft assembly	42	E21-5001	Drag washer B
3	E35-8001	Oscillating slider	43	E21-5101	Eared washer
4	E35-8101	Oscillating slider retainer	44	E21-5201	Key washer
5	351-0903	Oscillating slider screw	45	E35-6801	Drag coil spring
8	B10-5701	Rotor nut	46	E27-0801	Drag nut
9	E22-8602	Rotor	47	E21-5401	Drag screw washer A
10	B35-7801	Bail trip lever	48	E34-8101	Drag screw
11	E20-2401	Bail trip cover	49	373-7810	Drag screw washer B
12	B83-4401	Bail trip cover screw	50	E21-5703	Drag screw retainer
13	B67-9302	Line roller screw	51	E22-8402	Drag knob
14	B55-4301	Line roller washer	52	375-1001	Drag knob washer
15	E21-3601	Bail arm	53	353-8203	Drag knob screw
16	E21-3701	Bail arm screw	54	E35-6001	Anti-reverse pawl plate
17	320-5901	Bail arm screw retainer	55	E35-6101	Anti-reverse pawl
18	250-3921	Line roller	56	E35-6201	Anti-reverse pawl spring A
19	B45-1501	Line roller bushing	57	B96-5501	Anti-reverse pawl collar
20	E38-3901	Bail assembly	58	B00-9701	Anti-reverse pawl screw
21	B83-4201	Bail trip cam screw	59	B74-2503	Oscillating gear
22	320-5901	Bail trip cam screw retainer	60	F01-9301	Drive gear
23	E21-3501	Bail spring shaft	61	E35-7301	Anti-reverse pawl spring B
24	E34-8001	Bail spring	62	373-7800	Drive gear washer
25	E21-3801	Bail spring cover	63	E15-4001	Ball bearing B
26	B67-4901	Trigger plate	64	E38-4001	Side cover
27	E35-7201	Bail spring cover screw	65	B83-5001	Side cover screw
28	B67-5201	Trigger spring	66	E23-4701	Handle assembly
29	B67-5105	Trigger lever	67	B92-4902	Handle lock washer
30	E35-7202	Trigger screw	68	B92-5003	Handle lock screw
31	371-2827	Bearing washer	69	E29-9401	Oscillating gear collar
32	B54-6001	Ball bearing A			
33	E35-6601	Spacing sleeve			
34	E35-6401	Anti-reverse ratchet	1655TH Special Parts		
35	E38-5601	Pinion gear	1	E38-4401	Spool assembly
36	E38-3801	Body assembly		E38-7701	Spool assembly (Extra Spool)
37	B84-2102	Bearing retainer screw	9	E22-9903	Rotor
38	E23-0701	Anti-reverse lever	20	E38-4301	Bail assembly
39	B58-8601	Anti-reverse cam spring	36	E38-3802	Body assembly
			66	E23-1101	Handle assembly