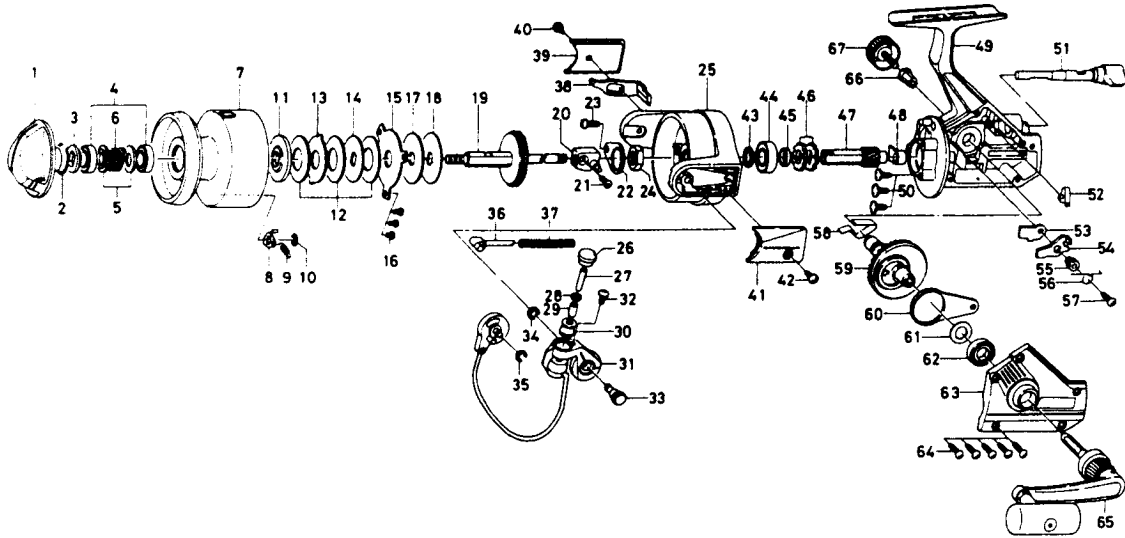


SPINNING REEL G7000



Key No.	Parts No.	Parts Name	Key No.	Parts No.	Parts Name
1	K12-3904	Drag knob	35	320-1402	Bail trip cam screw retainer
2	K12-3801	Drag washer retainer	36	K12-0601	Bail spring shaft
3	K12-3601	Bearing washer A	37	K12-0701	Bail spring
4	635-4801	Ball bearing A	38	K07-1001	Bail trip lever
5	K07-3001	Bearing washer B	39	K07-1101	Bail trip cover
6	K12-3701	Drag spring	40	K07-1501	Bail trip cover screw
7	K07-2501	Spool assembly	41	K07-1401	Bail spring cover
8	K12-3101	Click pawl	42	K07-1501	Bail spring cover screw
9	145-2101	Click spring	43	B90-9201	Bearing washer C
10	320-1402	Click retainer	44	637-6101	Ball bearing B
11	K12-3201	Key washer A	45	K07-0801	Spacing sleeve
12	K12-3301	Drag washer A	46	E26-2701	Anti-reverse ratchet
13	K07-2801	Eared washer	47	K07-0701	Pinion gear
14	K07-2901	Key washer B	48	K07-0601	Pinion holder
15	K12-3401	Drag plate	49	K07-0201	Body assembly
16	B83-4402	Drag plate screw	50	B84-2102	Bearing retainer screw
17	K12-2501	Drag washer B	51	K11-9001	Anti-reverse lever
18	K12-2402	Key washer C	52	B58-8601	Anti-reverse cam spring
19	K07-1701	Main shaft assembly	53	K11-8601	Anti-reverse pawl plate
20	K07-2001	Oscillating slider	54	K11-8701	Anti-reverse pawl
21	351-8901	Oscillating slider screw	55	K11-8801	Anti-reverse pawl collar
22	B02-1601	Rotor nut holding plate	56	K11-8901	Anti-reverse pawl spring A
23	L01-1702	Rotor nut holding plate screw	57	K08-7802	Anti-reverse pawl spring B
24	K07-1601	Rotor nut	58	K12-1301	Anti-reverse pawl screw
25	K07-0901	Rotor	59	K11-5901	Drive gear
26	K12-1001	Line roller collar	60	L00-7901	Oscillating support
27	K12-1101	Line roller pin	61	371-2800	Drive gear washer
28	375-4301	Line roller washer	62	B54-6001	Ball bearing C
29	B44-3401	Line roller bushing	63	K07-2101	Side cover
30	B21-1102	Line roller	64	K08-7801	Side cover screw
31	K07-1201	Bail arm assembly	65	K07-3101	Handle assembly
32	352-2503	Line roller collar screw	66	501-8401	Handle collar
33	K12-0401	Bail arm screw	67	L00-9101	Handle lock screw
34	320-1402	Bail arm screw retainer			