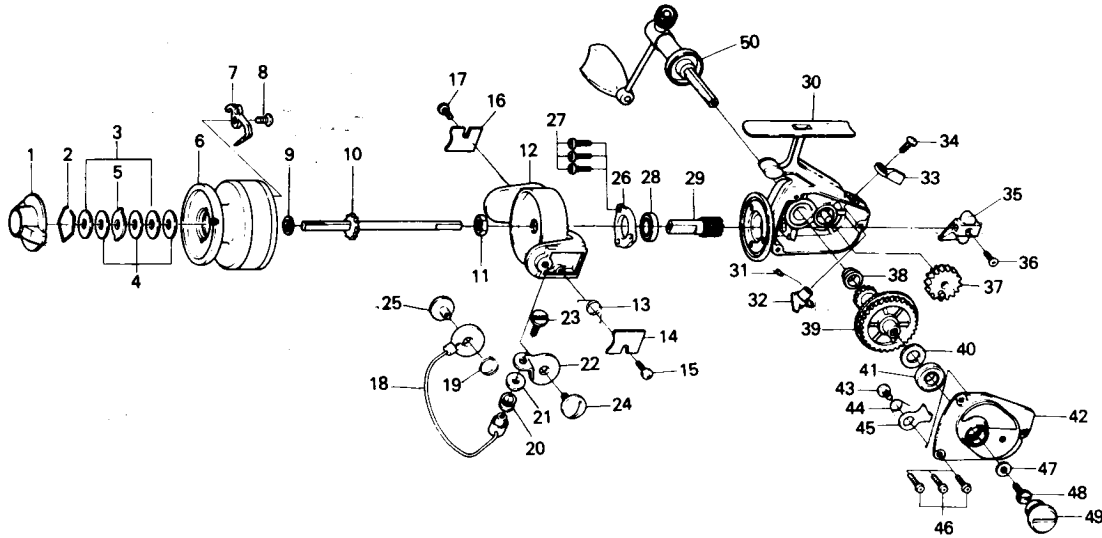


SPINNING REEL GS-1



LINE CAPACITY: 160 YDS., 6 LB. TEST (145m. 2.7kg)

Key No. 2 ~ 8

6-731-006 Spool assembly \$7.85

Key No.	Parts No.	Parts Name	Price Per Piece	Key No.	Parts No.	Parts Name	Price Per Piece
1	6-740-2302	Drag knob	\$1.70	26	6-634-1702	Ball bearing ret. washer	\$.30
2	6-170-7701	Drag washer retainer	.10	27	6-351-1001	Ball bearing ret. washer screw	.10
3	6-374-9802	Drag D washer	.10	28	6-634-1301	Ball bearing	3.00
4	6-374-3602	Disc washer	.20	29	6-402-2201	Pinion gear	1.35
5	6-374-3802	Drag A washer	.10	30	6-700-4708	Body	7.75
6	6-731-0106	Spool	N/A	31	6-142-2801	Anti-reverse cam spring	.15
7	6-030-4511	Spool click claw	.10	32	6-460-6821	Anti-reverse cam	.25
8	6-351-1801	Spool click claw screw	.10	33	6-540-3711	Anti-reverse lever	.30
9	6-372-3501	Spool washer	.10	34	6-350-1931	Anti-reverse lever screw	.10
10	6-710-7801	Main shaft	.95	35	6-481-0511	Oscillating slider	.25
11	6-341-9201	Rotor nut	.20	36	6-351-0311	Oscillating slider screw	.10
12	6-735-4401	Rotor	3.25	37	6-413-0101	Oscillating gear	.35
13	6-143-9401	Bail spring	.15	38	6-636-4101	Bearing metal	.40
14	6-040-5001	Bail spring cover	.15	39	6-413-0201	Drive gear	1.35
15	6-351-1801	Bail spring cover screw	.10	40	6-370-5150	Drive gear washer	.10
16	6-040-5001	Bail spring cover	.15	41	6-634-1301	Ball bearing	3.00
17	6-351-1801	Bail spring cover screw	.10	42	6-705-7706	Body cover	2.70
18	6-725-4711	Bail	2.05	43	6-351-7701	Anti-reverse claw screw	.10
19	6-143-9511	Arm lever spring	.15	44	6-143-9601	Anti-reverse claw spring	.10
20	6-250-3901	Line roller	.40	45	6-111-3411	Anti-reverse claw	.20
21	6-501-1401	Roller collar	.25	46	6-351-1001	Body cover screw	.10
22	6-231-1501	Arm lever	.45	47	6-372-4601	Handle washer	.10
23	6-353-1811	Bail screw	.20	48	6-362-1001	Handle screw	.25
24	6-363-2201	Arm lever screw	.55	49	6-363-6001	Handle screw cap	.55
25	6-363-2201	Bail holder screw	.55	50	6-745-8612	Handle	3.80