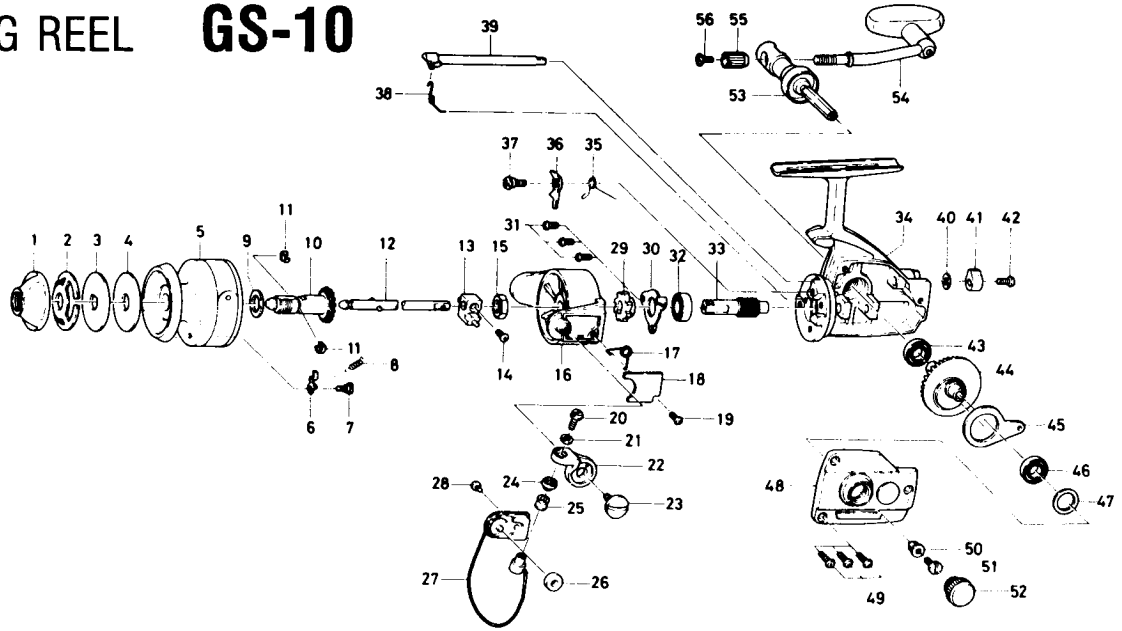


## SPINNING REEL GS-10



LINE CAPACITY: 160 YDS., 6 LB. TEST (145m. 2.7kg)

Key No. 1 ~ 11

6-732-6606 Spool assembly \$9.90

Key No. 53 ~ 56

6-747-2201 Handle assembly 3.50

Key No.	Parts No.	Parts Name	Price Per Piece	Key No.	Parts No.	Parts Name	Price Per Piece
1	6-441-5001	Drag knob	\$ .40	29	6-280-7401	Ratchet	\$ .35
2	6-151-7301	Drag spring washer	.55	30	6-320-9901	Ball bearing ret. washer	.50
3	6-375-6001	Drag D washer	.15	31	6-351-0901	Ball bearing ret. washer screw	.10
4	6-375-5902	Disc washer	.25	32	6-636-6401	Ball bearing	3.00
5	6-732-6702	Spool	N/A	33	6-402-8001	Pinion gear	1.55
6	6-030-5311	Spool click claw	.35	34	6-701-1401	Body	9.20
7	6-363-4501	Spool click claw screw	.15	35	6-144-3711	Anti-reverse claw spring	.10
8	6-142-0011	Spool click claw spring	.15	36	6-111-6301	Anti-reverse claw	.10
9	6-375-5701	Spool washer	.10	37	6-363-4201	Anti-reverse claw screw	.15
10	6-720-1321	Spool metal	1.15	38	6-144-3601	Anti-reverse cam spring	.10
11	6-151-7211	Spool metal leaf spring	.15	39	6-461-5612	Anti-reverse cam	1.00
12	6-711-2402	Main shaft	1.60	40	6-371-6903	Anti-reverse lever washer	.10
13	6-636-7602	Oscillating slider	.25	41	6-541-6201	Anti-reverse lever	.45
14	6-351-0311	Oscillating slider screw	.10	42	6-353-4401	Anti-reverse lever screw	.10
15	6-341-9201	Rotor nut	.20	43	6-634-1301	Ball bearing	3.00
16	6-201-9802	Rotor	3.90	44	6-413-8901	Drive gear	3.50
17	6-144-3821	Bail spring	.15	45	6-481-1801	Oscillating slider	.25
18	6-041-1512	Bail spring cover	.15	46	6-634-1301	Ball bearing	3.00
19	6-351-0901	Bail spring cover screw	.10	47	6-372-8600	Drive gear washer	.10
20	6-363-4411	Bail screw	.20	48	6-706-8001	Body cover	3.90
21	6-375-4301	Bail washer	.10	49	6-351-1101	Body cover screw	.10
22	6-231-2501	Arm lever	1.15	50	6-501-8501	Handle screw holder	.50
23	6-363-4301	Arm lever screw	.10	51	6-363-8501	Handle screw	.15
24	6-501-4411	Roller collar	.20	52	6-363-6002	Handle screw cap	.50
25	6-250-4401	Line roller	.45	53	6-747-3201	Handle stand	1.20
26	6-210-6401	Balancer	.20	54	6-747-3101	Handle arm	2.05
27	6-725-7102	Bail	2.10	55	6-342-3001	Handle arm ret. nut	.50
28	6-352-0401	Bail holder screw	.10	56	6-353-0701	Handle arm ret. nut screw	.10