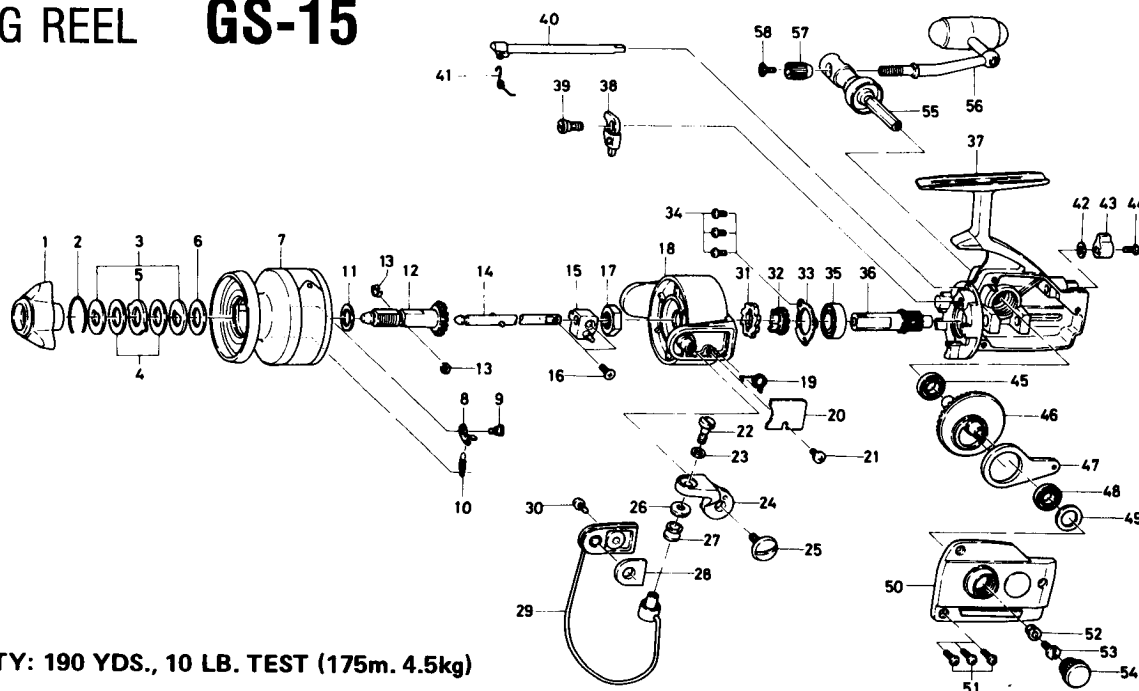


SPINNING REEL GS-15



LINE CAPACITY: 190 YDS., 10 LB. TEST (175m. 4.5kg)

Key No. 1 ~ 13			
	6-733-1803	Spool assembly	\$12.95
Key No. 55 ~ 58			
	6-747-2701	Handle assembly	5.00

Key No.	Parts No.	Parts Name	Price Per Piece
1	6-740-3311	Drag knob	\$.85
2	6-170-4601	Drag washer retainer	.10
3	6-374-4802	Drag D washer	.15
4	6-373-3701	Disc washer	.25
5	6-373-3603	Drag A washer	.15
6	6-373-3704	Drag washer A	.15
7	6-732-7602	Spool	N/A
8	6-030-5311	Spool click claw	.35
9	6-363-4501	Spool click claw screw	.15
10	6-142-0011	Spool click claw spring	.15
11	6-375-5701	Spool washer	.10
12	6-720-1721	Spool metal	1.35
13	6-151-7211	Spool metal leaf spring	.15
14	6-711-2902	Main shaft	2.30
15	6-637-0102	Oscillating support	.70
16	6-351-5311	Oscillating slider screw	.10
17	6-340-8301	Rotor nut	.20
18	6-202-0202	Rotor	4.55
19	6-142-6721	Bail spring	.10
20	6-634-1501	Bail spring cover	.15
21	6-351-1801	Bail spring cover screw	.10
22	6-353-1811	Bail screw	.20
23	6-375-1001	Bail washer	.10
24	6-231-1701	Arm lever	.40
25	6-363-5201	Arm lever screw	.45
26	6-501-1601	Roller collar	.20
27	6-250-4211	Line roller	.30
28	6-210-3701	Balancer	.35
29	6-725-6012	Bail	1.95

Key No.	Parts No.	Parts Name	Price Per Piece
30	6-351-6601	Bail holder screw	\$.10
31	6-280-7901	Ratchet	.70
32	6-270-8401	Click gear	.40
33	6-321-0201	Ball bearing ret. washer	.15
34	6-351-0901	Ball bearing ret. washer screw	.10
35	6-635-4801	Ball bearing	4.00
36	6-402-8701	Pinion gear	1.80
37	6-701-1202	Body	9.80
38	6-770-1601	Anti-reverse claw	1.10
39	6-363-7101	Anti-reverse claw screw	.25
40	6-461-5712	Anti-reverse cam	.80
41	6-144-0301	Anti-reverse cam spring	.15
42	6-371-6903	Anti-reverse lever washer	.10
43	6-541-6201	Anti-reverse lever	.45
44	6-353-4401	Anti-reverse lever screw	.10
45	6-634-1301	Ball bearing	3.00
46	6-413-9001	Drive gear	3.90
47	6-481-2101	Oscillating slider	.45
48	6-634-1301	Ball bearing	3.00
49	6-372-8600	Drive gear washer	.10
50	6-706-7702	Body cover	3.70
51	6-351-7801	Body cover screw	.10
52	6-501-8501	Handle screw holder	.50
53	6-363-8501	Handle screw	.15
54	6-363-6002	Handle screw cap	.50
55	6-747-2601	Handle stand	1.75
56	6-747-2901	Handle arm	3.25
57	6-342-3001	Handle arm ret. nut	.50
58	6-353-0701	Handle arm ret. nut screw	.10