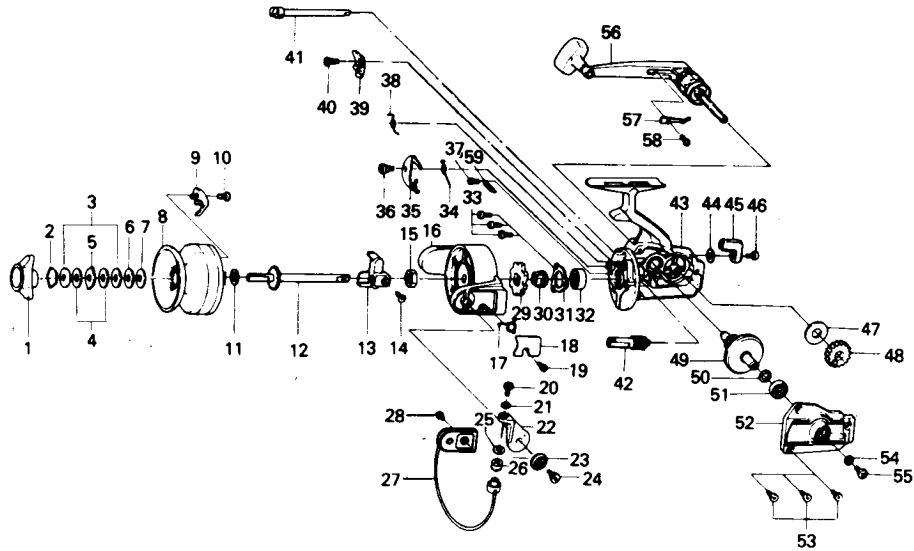


## SPINNING REEL GS-2



**LINE CAPACITY: 260 YDS., 10 LB. TEST (240m. 4.5kg)**

Key No. 2 ~ 10	Spool assembly	\$15.60
Key No. 56 ~ 58	Handle assembly	4.15

Key No.	Parts No.	Parts Name	Price Per Piece	Key No.	Parts No.	Parts Name	Price Per Piece
1	6-740-2103	Drag knob	\$2.00	31	6-635-9901	Ball bearing ret. washer	\$ .25
2	6-170-4001	Drag washer retainer	.10	32	6-636-6001	Ball bearing	3.65
3	6-373-2502	Drag D washer	.15	33	6-351-6601	Ball bearing ret. washer screw	.10
4	6-374-2901	Disc washer	.20	34	6-144-0211	Click claw spring	.10
5	6-375-5301	Drag A washer	.15	35	6-770-0801	Click claw	.90
6	6-370-6901	Drag washer A	.15	36	6-363-3013	Click claw screw	.20
7	6-373-6602	Drag washer B	.15	37	6-363-3301	Click lever spring screw	.10
8	6-731-1002	Spool	N/A	38	6-144-0301	Anti-reverse cam spring	.15
9	6-030-4411	Spool click claw	.15	39	6-770-0731	Anti-reverse claw	.90
10	6-351-6102	Spool click claw screw	.10	40	6-363-3601	Anti-reverse claw screw	.25
11	6-374-9002	Spool washer	.10	41	6-461-5002	Anti-reverse cam	1.10
12	6-710-8702	Main shaft	1.10	42	6-402-3001	Pinion gear	1.90
13	6-481-0901	Oscillating slider	.40	43	6-700-8001	Body	8.50
14	6-351-8901	Oscillating slider screw	.10	44	6-373-2700	Anti-reverse lever washer	.10
15	6-340-8301	Rotor nut	.20	45	6-541-1901	Anti-reverse lever	.15
16	6-201-7412	Rotor	3.75	46	6-352-2501	Anti-reverse lever screw	.10
17	6-143-5311	Bail spring	.15	47	6-375-0900	Oscillating gear washer	.10
18	6-632-6411	Bail spring cover	.15	48	6-413-1201	Oscillating gear	.35
19	6-352-2501	Bail spring cover screw	.10	49	6-413-1301	Drive gear	2.05
20	6-353-1811	Bail screw	.20	50	6-371-2820	Drive gear washer	.10
21	6-375-1001	Bail washer	.10	51	6-636-6001	Ball bearing	3.65
22	6-231-1801	Arm lever	1.35	52	6-705-8604	Body cover	3.60
23	6-130-3201	Bail holder cap	.10	53	6-351-8501	Body cover screw	.10
24	6-363-1901	Arm lever screw	.30	54	6-371-9521	Handle washer	.10
25	6-501-1601	Roller collar	.20	55	6-351-3631	Handle screw	.30
26	6-250-4201	Line roller	.30	56	6-746-7901	Handle arm	N/A
27	6-725-5521	Bail	2.55	57	6-144-1211	Handle leaf spring	.10
28	6-351-6601	Bail holder screw	.10	58	6-352-0401	Handle leaf spring screw	.10
29	6-280-5301	Ratchet	.60	59	6-144-1211	Click lever spring	.15
30	6-270-7001	Click gear	.30				