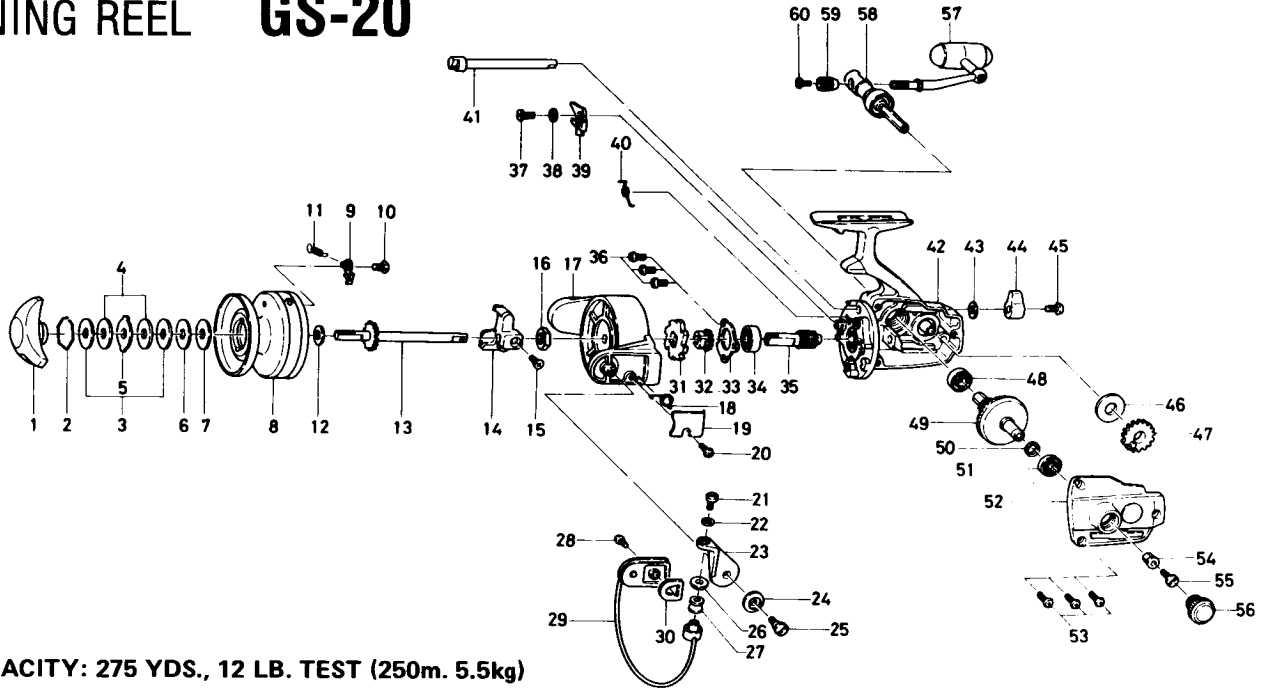


## SPINNING REEL GS-20



LINE CAPACITY: 275 YDS., 12 LB. TEST (250m. 5.5kg)

Key No. 2 ~ 11			
6-733-1001	Spool assembly		\$15.60
Key No. 57 ~ 60			
6-747-2101	Handle assembly		5.65

Key No.	Parts No.	Parts Name	Price Per Piece	Key No.	Parts No.	Parts Name	Price Per Piece
1	6-740-2601	Drag knob	\$1.75	31	6-280-5301	Ratchet	\$ .60
2	6-170-4001	Drag washer retainer	.10	32	6-270-7002	Click gear	.50
3	6-373-2502	Drag D washer	.15	33	6-635-9901	Ball bearing ret. washer	.25
4	6-374-2901	Disc washer	.20	34	6-635-4801	Ball bearing	4.00
5	6-375-5301	Drag A washer	.15	35	6-402-9401	Pinion gear	1.80
6	6-370-6901	Drag washer A	.15	36	6-351-6601	Ball bearing ret. washer screw	.10
7	6-371-2731	Drag washer B	.10	37	6-363-3601	Anti-reverse claw screw	.25
8	6-733-1101	Spool	N/A	38	6-375-5200	Anti-reverse claw washer	.15
9	6-030-6801	Spool click claw	.25	39	6-770-0731	Anti-reverse claw	.90
10	6-352-2201	Spool click claw screw	.10	40	6-144-0301	Anti-reverse cam spring	.15
11	6-144-1211	Spool click claw spring	.15	41	6-461-5001	Anti-reverse cam	1.10
12	6-374-9002	Spool washer	.10	42	6-701-1301	Body	8.55
13	6-710-9123	Main shaft	.95	43	6-373-2700	Anti-reverse lever washer	.10
14	6-481-0901	Oscillating slider	.40	44	6-541-6101	Anti-reverse lever	1.30
15	6-351-8901	Oscillating slider screw	.10	45	6-352-2501	Anti-reverse lever screw	.10
16	6-340-8301	Rotor nut	.20	46	6-374-6600	Oscillating gear washer	.10
17	6-201-7703	Rotor	3.00	47	6-413-2212	Oscillating gear	.40
18	6-143-5311	Bail spring	.15	48	6-636-6011	Ball bearing	3.65
19	6-632-6411	Bail spring cover	.15	49	6-413-9101	Drive gear	3.90
20	6-351-1801	Bail spring cover screw	.10	50	6-371-2820	Drive gear washer	.10
21	6-363-3111	Bail screw	.35	51	6-636-6011	Ball bearing	3.65
22	6-375-1101	Bail washer	.10	52	6-706-7901	Body cover	3.90
23	6-231-1901	Arm lever	1.50	53	6-351-6401	Body cover screw	.10
24	6-130-3201	Bail holder cap	.10	54	6-501-8401	Handle screw holder	.50
25	6-363-1901	Arm lever screw	.30	55	6-363-8601	Handle screw	.20
26	6-501-2001	Roller collar	.25	56	6-363-4702	Handle screw cap	.50
27	6-250-4311	Line roller	.30	57	6-747-3301	Handle arm	4.20
28	6-351-6601	Bail holder screw	.10	58	6-747-3401	Handle stand	1.70
29	6-725-5622	Bail	2.30	59	6-342-3301	Handle arm ret. nut	.70
30	6-210-3111	Balancer	.35	60	6-353-9101	Handle arm ret. nut screw	.15