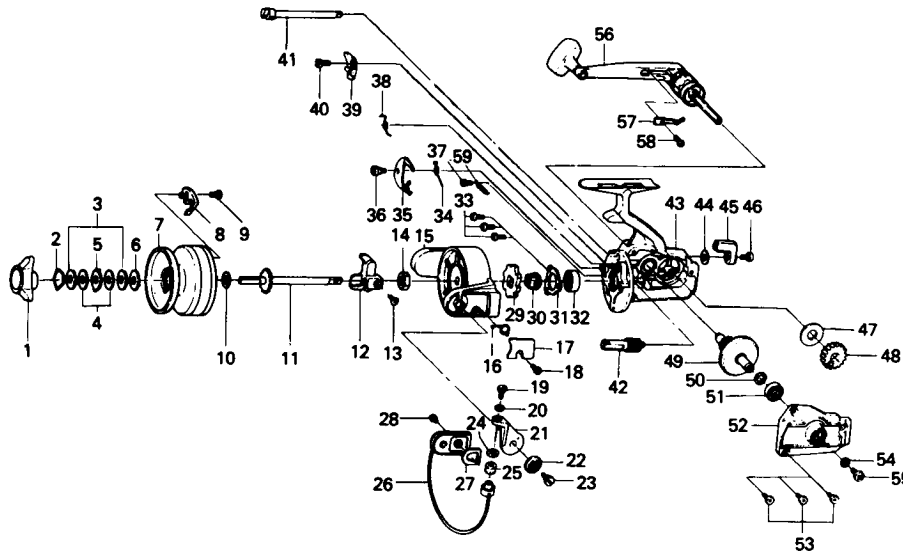


SPINNING REEL GS-3



LINE CAPACITY: 250 YDS., 15 LB. TEST (230m. 6.8kg)

Key No. 2 ~ 9	6-731-4703	Spool assembly	\$16.35
Key No. 56 ~ 58	6-746-8101	Handle assembly	4.15

Key No.	Parts No.	Parts Name	Price Per Piece	Key No.	Parts No.	Parts Name	Price Per Piece
1	6-740-2601	Drag knob	\$1.75	31	6-635-9901	Ball bearing ret. washer	\$.25
2	6-170-4001	Drag washer retainer	.10	32	6-636-6001	Ball bearing	3.65
3	6-373-2502	Drag D washer	.15	33	6-351-6601	Ball bearing ret. washer screw	.10
4	6-374-2901	Disc washer	.20	34	6-144-0211	Click claw spring	.10
5	6-375-5301	Drag A washer	.15	35	6-770-0801	Click claw	.90
6	6-370-6901	Drag washer A	.15	36	6-363-3013	Click claw screw	.20
7	6-731-1202	Spool	N/A	37	6-363-3301	Click lever spring screw	.10
8	6-030-4411	Spool click claw	.15	38	6-144-0301	Anti-reverse cam spring	.15
9	6-351-6102	Spool click claw screw	.10	39	6-770-0731	Anti-reverse claw	.90
10	6-374-9002	Spool washer	.10	40	6-363-3601	Anti-reverse claw screw	.25
11	6-710-9123	Main shaft	.95	41	6-461-5001	Anti-reverse cam	1.10
12	6-481-0901	Oscillating slider	.40	42	6-402-3201	Pinion gear	1.75
13	6-351-8901	Oscillating slider screw	.10	43	6-700-8101	Body	8.50
14	6-340-8301	Rotor nut	.20	44	6-373-2700	Anti-reverse lever washer	.10
15	6-201-7803	Rotor	4.15	45	6-514-4901	Anti-reverse lever	.15
16	6-143-5311	Bail spring	.15	46	6-352-2501	Anti-reverse lever screw	.10
17	6-632-6411	Bail spring cover	.15	47	6-374-6600	Oscillating gear washer	.10
18	6-352-2501	Bail spring cover screw	.10	48	6-412-3401	Oscillating gear	.20
19	6-363-3111	Bail screw	.35	49	6-413-1401	Drive gear	1.75
20	6-375-1101	Bail washer	.10	50	6-371-2820	Drive gear washer	.10
21	6-231-1901	Arm lever	1.50	51	6-636-6001	Ball bearing	3.65
22	6-130-3201	Bail holder cap	.10	52	6-705-8804	Body cover	3.45
23	6-363-1901	Arm lever screw	.30	53	6-351-8501	Body cover screw	.10
24	6-501-2001	Roller collar	.25	54	6-371-9521	Handle washer	.10
25	6-250-4301	Line roller	.30	55	6-351-3631	Handle screw	.30
26	6-725-5621	Bail	2.55	56	6-746-8101	Handle arm	N/A
27	6-210-3111	Balancer	.35	57	6-151-4401	Handle leaf spring	.10
28	6-351-6601	Bail holder screw	.10	58	6-352-0401	Handle leaf spring screw	.10
29	6-280-5301	Ratchet	.60	59	6-144-1211	Click lever spring	.15
30	6-270-7001	Click gear	.30				