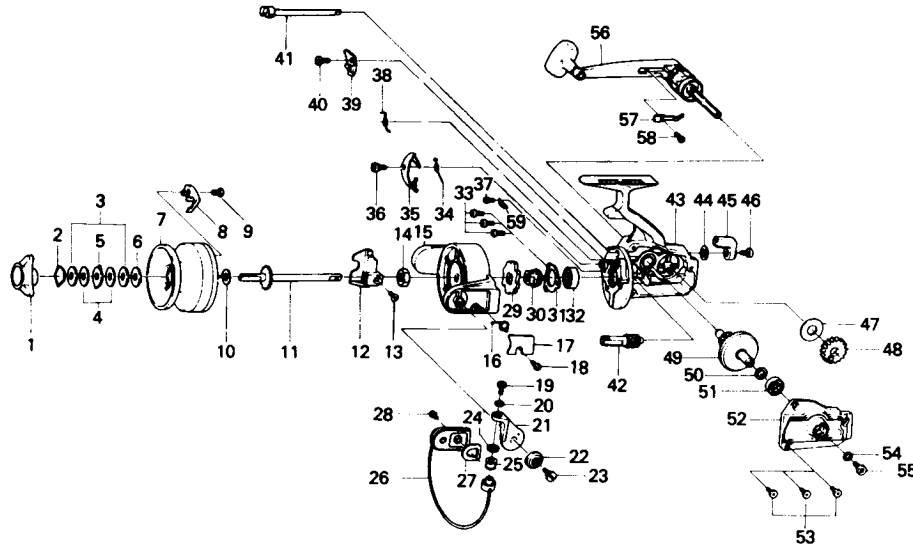


SPINNING REEL GS-6



LINE CAPACITY: 225 YDS., 20 LB. TEST (170m. 9.1kg)

Key No. 2 ~ 9			
6-731-4803	Spool assembly		\$17.35
Key No. 56 ~ 58			
6-746-8301	Handle assembly		6.40
Special part for GS-6SC			
6-280-7111	Ratchet		.70

Key No.	Parts No.	Parts Name	Price Per Piece	Key No.	Parts No.	Parts Name	Price Per Piece
1	6-000-8233	Drag knob	\$2.15	31	6-050-5101	Ball bearing ret. washer	\$.25
2	6-170-4511	Drag washer retainer	.10	32	6-635-5001	Ball bearing	4.25
3	6-372-7812	Drag D washer	.15	33	6-351-6601	Ball bearing ret. washer screw	.10
4	6-372-9011	Disc washer	.40	34	6-144-0211	Click claw spring	.10
5	6-375-5401	Drag A washer	.15	35	6-781-1401	Click claw	.90
6	6-372-7701	Drag washer A	.15	36	6-363-3013	Click claw screw	.20
7	6-730-9803	Spool	N/A	37	6-363-3301	Click lever spring screw	.10
8	6-030-4411	Spool click claw	.15	38	6-144-0301	Anti-reverse cam spring	.15
9	6-351-6102	Spool click claw screw	.10	39	6-770-0931	Anti-reverse claw	1.00
10	6-371-2732	Spool washer	.10	40	6-363-3601	Anti-reverse claw screw	.25
11	6-710-2214	Main shaft	1.10	41	6-461-5102	Anti-reverse cam	1.20
12	6-481-1011	Oscillating slider	.60	42	6-402-3101	Pinion gear	1.90
13	6-351-8901	Oscillating slider screw	.10	43	6-700-7901	Body	9.25
14	6-340-8301	Rotor nut	.20	44	6-373-2700	Anti-reverse lever washer	.10
15	6-201-7603	Rotor	4.50	45	6-541-1901	Anti-reverse lever	.15
16	6-144-2201	Bail spring	.10	46	6-352-2501	Anti-reverse lever screw	.10
17	6-633-0701	Bail spring cover	.15	47	6-374-5401	Oscillating gear washer	.10
18	6-352-2501	Bail spring cover screw	.10	48	6-412-3601	Oscillating gear	.35
19	6-363-3111	Bail screw	.35	49	6-412-3501	Drive gear	2.55
20	6-375-1101	Bail washer	.10	50	6-371-2820	Drive gear washer	.10
21	6-231-1901	Arm lever	1.50	51	6-636-6001	Ball bearing	3.65
22	6-130-3201	Bail holder cap	.10	52	6-705-8704	Body cover	3.80
23	6-363-1901	Arm lever screw	.30	53	6-351-8501	Body cover screw	.10
24	6-501-2001	Roller collar	.25	54	6-371-9521	Handle washer	.10
25	6-250-4301	Line roller	.30	55	6-351-3631	Handle screw	.30
26	6-725-1215	Bail	2.55	56	6-746-8401	Handle arm	N/A
27	6-210-3501	Balancer	.35	57	6-151-4401	Handle leaf spring	.10
28	6-351-6401	Bail holder screw	.10	58	6-352-0401	Handle leaf spring screw	.10
29	6-280-5401	Ratchet	.70	59	6-144-1201	Click lever spring	.15
30	6-270-7111	Click gear	.40				