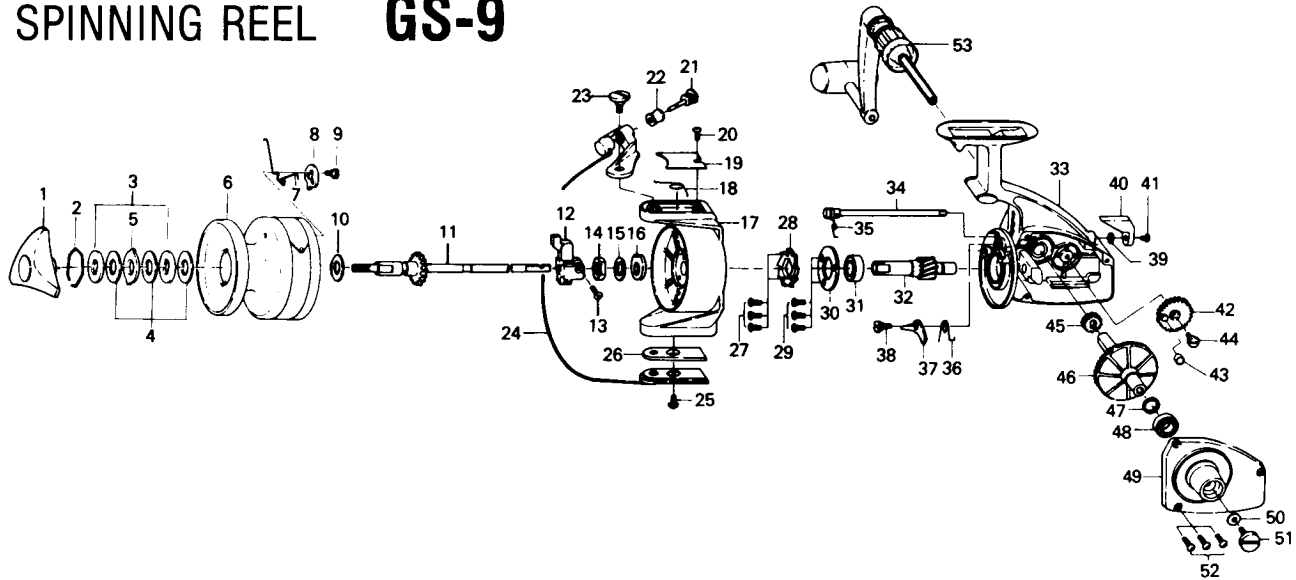


SPINNING REEL GS-9



LINE CAPACITY: 225 YDS., 30 LB. TEST (210m. 13.6kg)

Key No. 2 ~ 9

6-730-5710 Spool assembly \$17.85

Key No.	Parts No.	Parts Name	Price Per Piece	Key No.	Parts No.	Parts Name	Price Per Piece
1	6-003-1801	Drag knob	\$2.45	28	6-280-4001	Ratchet	\$1.00
2	6-170-4101	Drag washer retainer	.10	29	6-351-8901	Ball bearing retaining washer screw	.10
3	6-372-3711	Drag D washer	.40	30	6-633-1101	Ball bearing retaining washer	.25
4	6-372-3003	Disc washer	.20	31	6-635-5001	Ball bearing	4.25
5	6-372-3832	Drag A washer	.20	32	6-401-1811	Pinion gear	3.40
6	6-730-5610	Spool	N/A	33	6-003-2430	Body	9.50
7	6-143-6411	Spool click claw spring	.35	34	6-003-2131	Anti-reverse cam	1.10
8	6-030-4001	Spool click claw	.15	35	6-142-3511	Anti-reverse cam spring	.10
9	6-361-9801	Spool click claw screw	.20	36	6-142-0301	Anti-reverse claw spring	.15
10	6-372-9601	Spool washer	.10	37	6-110-6011	Anti-reverse claw	.40
11	6-003-1921	Main shaft	3.70	38	6-361-6901	Anti-reverse claw screw	.35
12	6-480-5221	Oscillating slider	.65	39	6-372-9911	Anti-reverse lever washer	.10
13	6-351-9001	Oscillating slider screw	.10	40	6-540-5801	Anti-reverse lever	.40
14	6-340-8301	Rotor nut	.20	41	6-351-1801	Anti-reverse lever screw	.10
15	6-160-1712	Rotor washer	.10	42	6-003-2501	Oscillating gear	1.50
16	6-372-9301	Rotor retaining washer	.25	43	6-500-5501	Oscillating collar	.10
17	6-200-8502	Rotor	4.50	44	6-361-7301	Oscillating gear screw	.30
18	6-142-0201	Bail spring	.15	45	6-401-1701	Oscillating pinion	.75
19	6-633-1311	Bail spring cover	.15	46	6-411-7211	Drive gear	2.70
20	6-351-6101	Bail spring cover screw	.10	47	6-271-2820	Drive gear washer	.10
21	6-780-9101	Bail screw	.85	48	6-636-6001	Ball bearing	3.65
22	6-250-2111	Line roller	.50	49	6-003-4216	Body cover	3.40
23	6-361-7011	Arm lever screw	.80	50	6-372-3501	Handle washer	.10
24	6-003-2001	Bail	2.25	51	6-361-2211	Handle screw	.65
25	6-351-6101	Bail holder screw	.10	52	6-351-8801	Body cover screw	.10
26	6-210-2901	Balancer	.40	53	6-745-6812	Handle	7.65
27	6-351-8901	Ratchet screw	.10				