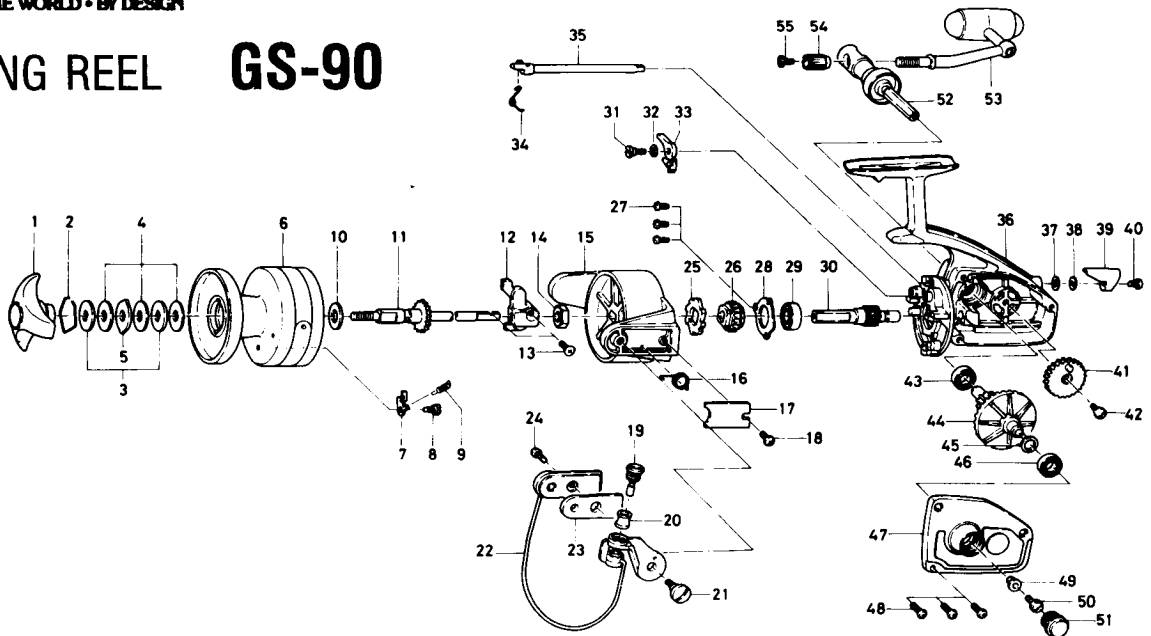


SPINNING REEL GS-90



LINE CAPACITY: 225 YDS., 30 LB. TEST (210m. 13.6kg)

Key No. 2 ~ 9	6-733-1601	Spool assembly	\$17.85
Key No. 52 ~ 55	6-747-2301	Handle assembly	7.00

Key No.	Parts No.	Parts Name	Price Per Piece	Key No.	Parts No.	Parts Name	Price Per Piece
1	6-003-1805	Drag knob	\$2.45	29	6-635-5001	Ball bearing	\$4.25
2	6-170-4101	Drag washer retainer	.10	30	6-402-7001	Pinion gear	2.50
3	6-372-3711	Drag D washer	.40	31	6-363-6501	Anti-reverse claw screw	.25
4	6-372-3003	Disc washer	.20	32	6-375-5200	Anti-reverse claw washer	.15
5	6-372-3832	Drag A washer	.20	33	6-770-1301	Anti-reverse claw	1.20
6	6-733-1701	Spool	N/A	34	6-144-0301	Anti-reverse cam spring	.15
7	6-030-6801	Spool click claw	.25	35	6-461-5103	Anti-reverse cam	1.35
8	6-363-8401	Spool click claw screw	.15	36	6-701-1501	Body	11.00
9	6-144-9101	Spool click claw spring	.15	37	6-373-2700	Anti-reverse lever washer A	.10
10	6-372-9601	Spool washer	.10	38	6-372-9911	Anti-reverse lever washer B	.10
11	6-711-2211	Main shaft	3.60	39	6-540-5801	Anti-reverse lever	.40
12	6-480-7601	Oscillating slider	.60	40	6-351-1801	Anti-reverse lever screw	.10
13	6-351-9001	Oscillating slider screw	.10	41	6-412-3001	Oscillating gear	1.00
14	6-340-8301	Rotor nut	.20	42	6-361-9011	Oscillating gear screw	.20
15	6-201-9201	Rotor	4.65	43	6-636-6011	Ball bearing	3.65
16	6-142-0201	Bail spring	.15	44	6-413-5811	Drive gear	2.05
17	6-633-1311	Bail spring cover	.15	45	6-371-2820	Drive gear washer	.10
18	6-351-6101	Bail spring cover screw	.10	46	6-636-6011	Ball bearing	3.65
19	6-780-9101	Bail screw	.85	47	6-706-4902	Body cover	4.15
20	6-250-2121	Line roller	.50	48	6-351-8801	Body cover screw	.10
21	6-361-7011	Arm lever screw	.80	49	6-501-8401	Handle screw holder	.50
22	6-003-2002	Bail	2.25	50	6-363-8601	Handle screw	.20
23	6-210-2901	Balancer	.40	51	6-363-4702	Handle screw cap	.50
24	6-351-6101	Bail holder screw	.10	52	6-747-2502	Handle stand	1.90
25	6-280-6701	Ratchet	1.00	53	6-747-3501	Handle arm	5.65
26	6-270-8101	Click gear	.55	54	6-342-3101	Handle arm ret. nut	.70
27	6-351-6601	Ball bearing ret. washer screw	.10	55	6-353-9101	Handle arm ret. nut screw	.15
28	6-320-9501	Ball bearing ret. washer	.25				