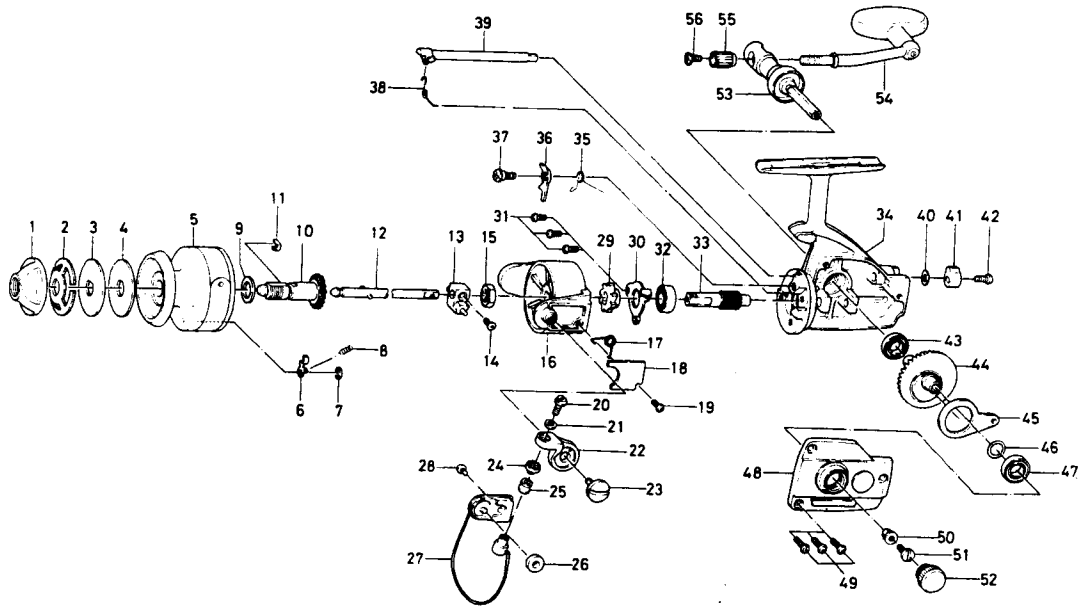


SPINNING REEL

GS-10



KEY NO. 1 ~ 11
6-733-8102

SPOOL ASSEMBLY

KEY NO. 53 ~ 56
6-747-2202

HANDLE ASSEMBLY

| Key No. | Parts No. | Parts Name | Key No. | Parts No. | Parts Name |
|---------|------------|---------------------------|---------|------------|--------------------------------|
| 1 | 6-441-5301 | Drag knob | 29 | 6-280-7402 | Ratchet |
| 2 | 6-151-7301 | Drag spring washer | 30 | 6-320-9901 | Ball bearing ret. washer |
| 3 | 6-375-6001 | Drag D washer | 31 | 6-351-0901 | Ball bearing ret. washer screw |
| 4 | 6-375-5902 | Disc washer | 32 | 6-636-6401 | Ball bearing |
| 5 | 6-733-4704 | Spool | 33 | 6-403-0101 | Pinion gear |
| 6 | 6-807-5301 | Spool click claw | 34 | 6-701-1402 | Body |
| 7 | 6-320-5902 | Spool click claw retainer | 35 | 6-144-3711 | Anti-reverse claw spring |
| 8 | 6-145-2101 | Spool click claw spring | 36 | 6-111-6301 | Anti-reverse claw |
| 9 | 6-375-5701 | Spool washer | 37 | 6-363-4201 | Anti-reverse claw screw |
| 10 | 6-720-1331 | Spool metal | 38 | 6-144-3611 | Anti-reverse cam spring |
| 11 | 6-151-7211 | Spool metal leaf spring | 39 | 6-461-5622 | Anti-reverse cam |
| 12 | 6-711-2413 | Main shaft | 40 | 6-371-6903 | Anti-reverse lever washer |
| 13 | 6-636-7602 | Oscillating support | 41 | 6-541-6201 | Anti-reverse lever |
| 14 | 6-351-0311 | Oscillating slider screw | 42 | 6-353-4401 | Anti-reverse lever screw |
| 15 | 6-341-9201 | Rotor nut | 43 | 6-637-5701 | Ball bearing |
| 16 | 6-201-9802 | Rotor | 44 | 6-413-8911 | Drive gear |
| 17 | 6-144-3821 | Bail spring | 45 | 6-481-1801 | Oscillating slider |
| 18 | 6-041-1512 | Bail spring cover | 46 | 6-375-8500 | Drive gear washer |
| 19 | 6-351-0901 | Bail spring cover screw | 47 | 6-637-5701 | Ball bearing |
| 20 | 6-363-4411 | Bail screw | 48 | 6-706-8001 | Body cover |
| 21 | 6-375-4301 | Bail washer | 49 | 6-351-1101 | Body cover screw |
| 22 | 6-231-2501 | Arm lever | 50 | 6-501-8501 | Handle screw holder |
| 23 | 6-363-4301 | Arm lever screw | 51 | 6-363-8511 | Handle screw |
| 24 | 6-501-4411 | Roller collar | 52 | 6-803-4803 | Handle screw cap |
| 25 | 6-250-1921 | Line roller | 53 | 6-747-3201 | Handle stand |
| 26 | 6-210-6401 | Balancer | 54 | 6-747-3101 | Handle arm |
| 27 | 6-725-7102 | Bail | 55 | 6-342-3011 | Handle arm ret. nut |
| 28 | 6-352-0401 | Bail holder screw | 56 | 6-353-0701 | Handle arm ret. nut screw |