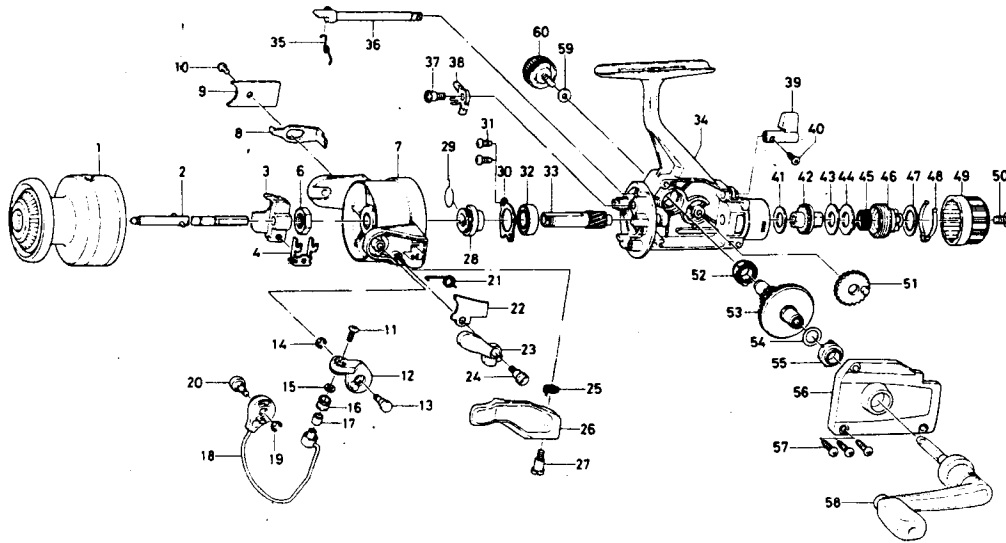


SPINNING REEL GS1055/1355



Key No.	Parts No.	Parts Name	Price Each	Key No.	Parts No.	Parts Name	Price Each
1	E00-3001	Spool assembly	7.50	35	B44-8501	Anti-reverse cam spring	0.40
2	B83-4501	Main shaft	1.65	36	B44-8401	Anti-reverse cam	0.70
3	B97-9601	Oscillating slider	0.75	37	B61-8101	Anti-reverse pawl screw	0.95
4	B97-9701	Oscillating slider retainer	0.50	38	B90-3001	Anti-reverse pawl	0.40
6	B67-9401	Rotor nut	0.45	39	B83-3401	Anti-reverse lever	1.30
7	B81-8302	Rotor	11.20	40	B12-8201	Anti reverse lever screw	0.50
8	B83-4301	Bail trip lever	0.65	41	B48-9901	Drag washer A	0.40
9	B74-7303	Bail trip cover	0.35	42	B83-3602	Click gear	0.80
10	B83-4402	Bail trip cover screw	0.35	43	B76-0501	Drag washer B	0.40
11	B67-9302	Line roller screw	0.35	44	B49-0102	Eared washer	0.35
12	B67-4601	Bail arm	1.20	45	B92-6702	Drag coil spring	0.40
13	B83-3801	Bail arm screw	0.45	46	B74-7603	Drag screw	0.90
14	320-5901	Bail arm screw retainer	0.40	47	B90-8201	Drag washer C	0.40
15	B55-4301	Line roller washer	0.35	48	B74-7702	Drag washer spring	0.40
16	250-3921	Line roller	0.80	49	B82-5505	Drag knob	1.35
17	B45-1501	Line roller bushing	0.40	50	352-1105	Drag knob spring screw	0.70
18	B83-4001	Bail	3.40	51	B74-2501	Oscillating gear	0.70
19	320-5901	Bail trip cam screw retainer	0.40	52	B84-3901	Bushing	0.40
20	B83-4201	Bail trip cam screw	0.45	53	B83-4701	Drive gear	1.50
21	B83-3701	Bail spring	0.35	54	373-7800	Drive gear washer	0.35
22	B83-3901	Bail spring cover	0.35	55	B84-3901	Bushing	0.40
23	B67-4901	Trigger plate	1.20	56	E00-1501	Side cover	5.00
24	B68-8801	Bail spring cover screw	0.80	57	B83-5002	Side cover screw	0.40
25	B67-5201	Trigger spring	0.40	58	E00-1601	Handle	5.85
26	B67-5105	Trigger lever	2.10	59	B92-4901	Handle lock washer	0.40
27	B68-8802	Trigger screw	0.75	60	E00-1801	Handle lock screw	0.50
28	B83-5601	Anti-reverse ratchet	1.30				
29	145-0501	Anti-reverse pawl spring	0.50	GS1355 Special Parts			
30	B45-6401	Bearing retainer	0.35	1	E00-3101	Spool	7.50
31	B83-4402	Bearing retainer screw	0.35	7	B81-8502	Rotor	7.50
32	637-5701	Ball bearing	7.50	8	B83-5701	Bail trip lever	0.65
33	B83-3501	Pinion gear	3.30	18	B83-7601	Bail	3.40
34	E00-1401	Body	13.75	34	E00-1402	Body	12.85
				56	E00-1502	Side cover	6.00