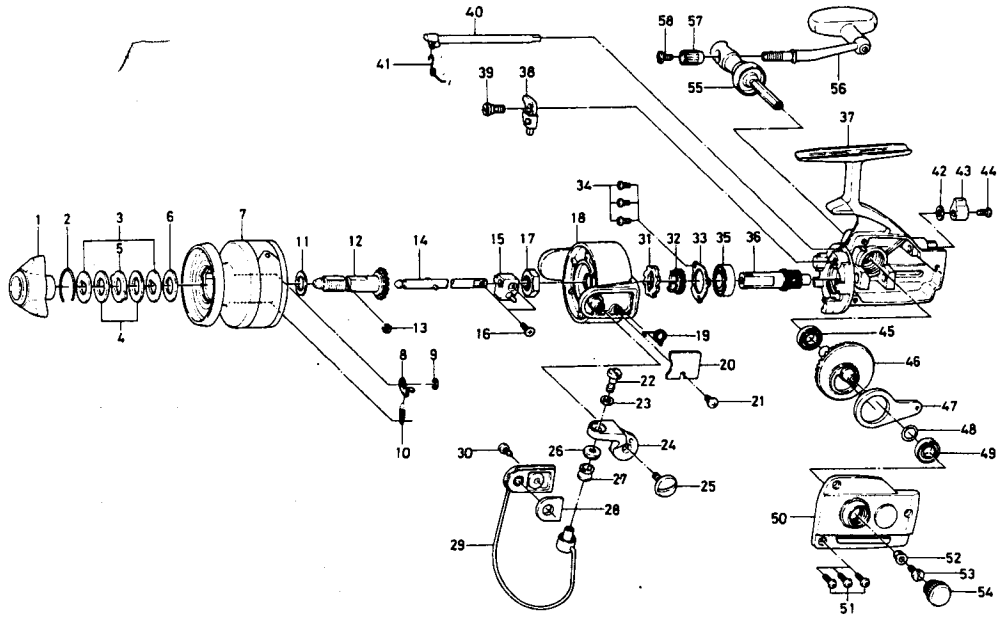


## SPINNING REEL GS-13



KEY NO. 1 ~ 13  
6-B06-0201

KEY NO. 55 ~ 58  
6-747-1802

**SPOOL ASSEMBLY**

**HANDLE ASSEMBLY**

Key No.	Parts No.	Parts Name	Key No.	Parts No.	Parts Name
1	6-740-3311	Drag knob	30	6-351-6601	Bail holder screw
2	6-170-4601	Drag washer retainer	31	6-280-7901	Ratchet
3	6-374-4802	Drag D washer	32	6-270-8402	Click gear
4	6-373-3701	Disc washer	33	6-321-0201	Ball bearing ret. washer
5	6-373-3603	Drag A washer	34	6-351-0901	Ball bearing ret. washer screw
6	6-373-3704	Drag washer A	35	6-635-4801	Ball bearing
7	6-733-5004	Spool	36	6-403-0201	Pinion gear
8	6-807-5301	Spool click claw	37	6-701-1201	Body
9	6-320-5902	Spool click claw retainer	38	6-770-1601	Anti-reverse claw
10	6-145-2101	Spool click claw spring	39	6-363-7101	Anti-reverse claw screw
11	6-375-5701	Spool washer	40	6-461-5712	Anti-reverse cam
12	6-720-1721	Spool metal	41	6-144-0321	Anti-reverse cam spring
13	6-151-7211	Spool metal leaf spring	42	6-371-6903	Anti-reverse lever washer
14	6-711-2912	Main shaft	43	6-541-6201	Anti-reverse lever
15	6-637-0102	Oscillating support	44	6-353-4401	Anti-reverse lever screw
16	6-351-5311	Oscillating slider screw	45	6-637-5701	Ball bearing
17	6-340-8301	Rotor nut	46	6-413-9011	Drive gear
18	6-202-0102	Rotor	47	6-481-2101	Oscillating slider
19	6-144-4912	Bail spring	48	6-375-8500	Drive gear washer
20	6-634-1501	Bail spring cover	49	6-637-5701	Ball bearing
21	6-351-1801	Bail spring cover screw	50	6-706-7701	Body cover
22	6-353-1811	Bail screw	51	6-351-7801	Body cover screw
23	6-375-1001	Bail washer	52	6-501-8501	Handle screw holder
24	6-231-1711	Arm lever	53	6-363-8511	Handle screw
25	6-363-5201	Arm lever screw	54	6-803-4803	Handle screw cap
26	6-501-1601	Roller collar	55	6-747-2601	Handle stand
27	6-250-4221	Line roller	56	6-747-1901	Handle arm
28	6-210-3701	Balancer	57	6-342-3011	Handle arm ret. nut
29	6-725-6012	Bail	58	6-353-0701	Handle arm ret. nut screw