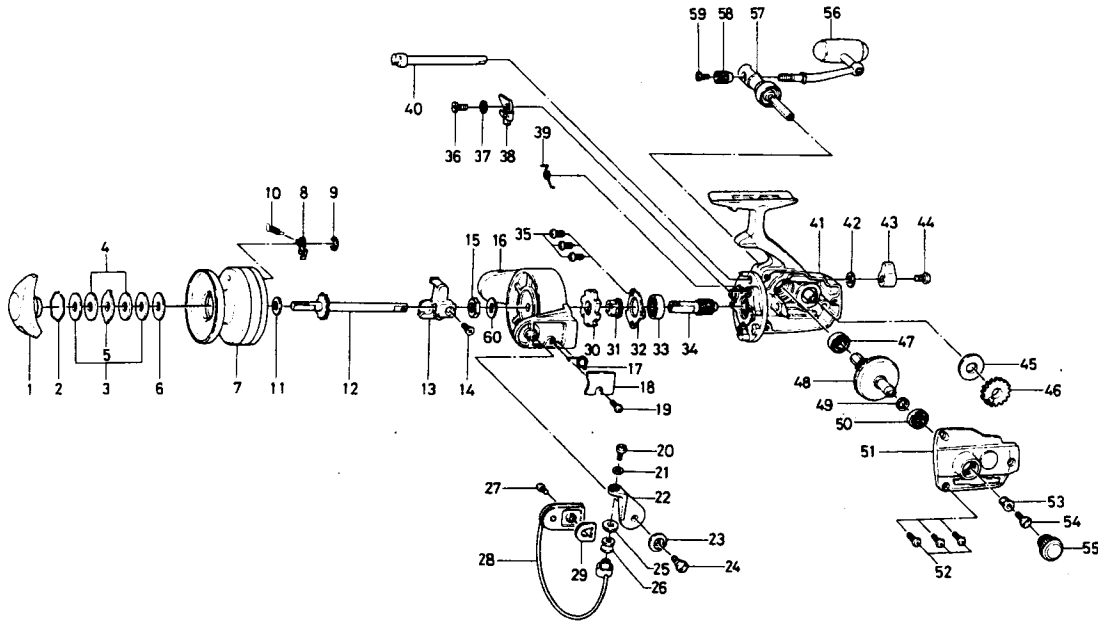


SPINNING REEL

GS-20



KEY NO. 2 ~ 9
6-734-4501

SPOOL ASSEMBLY

KEY NO. 56 ~ 59
6-747-2102

HANDLE ASSEMBLY

Key No.	Parts No.	Parts Name	Key No.	Parts No.	Parts Name
1	6-740-2601	Drag knob	31	6-270-7011	Click gear
2	6-170-4001	Drag washer retainer	32	6-635-9901	Ball bearing ret. washer
3	6-373-2502	Drag D washer	33	6-635-4801	Ball bearing
4	6-374-2901	Disc washer	34	6-402-9411	Pinion gear
5	6-375-5301	Drag A washer	35	6-351-6601	Ball bearing ret. washer screw
6	6-370-6901	Drag washer A	36	6-363-3601	Anti-reverse claw screw
7	6-734-4402	Spool	37	6-375-5200	Anti-reverse claw washer
8	6-B07-8201	Spool click claw	38	6-770-0731	Anti-reverse claw
9	6-320-1402	Spool click claw retainer	39	6-144-0321	Anti-reverse cam spring
10	6-145-2101	Spool click claw spring	40	6-B15-6402	Anti-reverse cam
11	6-374-9002	Spool washer	41	6-701-1301	Body
12	6-710-9123	Main shaft	42	6-373-2700	Anti-reverse lever washer
13	6-481-0901	Oscillating slider	43	6-541-6101	Anti-reverse lever
14	6-351-8901	Oscillating slider screw	44	6-352-2501	Anti-reverse lever screw
15	6-340-8301	Rotor nut	45	6-374-6600	Oscillating gear washer
16	6-201-7706	Rotor	46	6-413-2212	Oscillating gear
17	6-143-5311	Bail spring	47	6-636-6011	Ball bearing
18	6-632-6411	Bail spring cover	48	6-413-9111	Drive gear
19	6-351-1801	Bail spring cover screw	49	6-371-2800	Drive gear washer
20	6-363-3111	Bail screw	50	6-636-6011	Ball bearing
21	6-375-1101	Bail washer	51	6-706-7901	Body cover
22	6-231-1901	Arm lever	52	6-351-6401	Body cover screw
23	6-130-3201	Bail holder cap	53	6-501-8401	Handle screw holder
24	6-363-1901	Arm lever screw	54	6-363-8611	Handle screw
25	6-501-2001	Roller collar	55	6-363-4702	Handle screw cap
26	6-250-4321	Line roller	56	6-747-3311	Handle arm
27	6-351-6601	Bail holder screw	57	6-747-3401	Handle stand
28	6-725-5622	Bail	58	6-342-3301	Handle arm ret. nut
29	6-210-3111	Balancer	59	6-353-9101	Handle arm ret. nut screw
30	6-280-5301	Ratchet	60	6-375-7701	Rotor washer