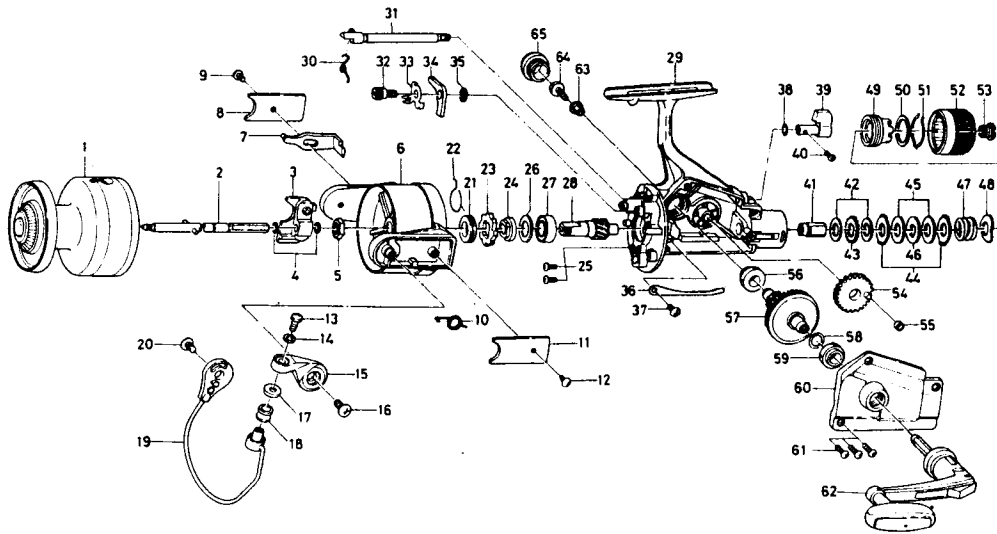


SPINNING REEL **GS4050**



Key No.	Parts No.	Parts Name	Price Each	Key No.	Parts No.	Parts Name	Price Each
1	E07-2301	Spool assembly	8.50	34	111-9201	Anti-reverse pawl	1.05
2	B78-2701	Main shaft	1.95	35	375-3002	Anti-reverse pawl washer	0.40
3	B78-3001	Oscillating slider	0.50	36	B78-1001	Click claw	0.40
4	B78-3101	Oscillating slider retainer	0.35	37	E02-7401	Click claw screw	0.35
5	340-8301	Rotor nut	0.50	38	375-5201	Anti-reverse lever washer	0.35
6	B86-5602	Rotor	13.50	39	B77-4301	Anti-reverse lever	1.65
7	B90-2001	Bail trip lever	0.55	40	B34-2101	Anti-reverse lever screw	0.35
8	B63-0902	Bail trip cover	0.40	41	E07-2101	Drag washer holder	0.90
9	B01-7102	Bail trip cover screw	0.45	42	B46-9503	Drag washer A	0.35
10	B93-5601	Bail spring	0.50	43	B78-1401	Key washer A	0.40
11	634-6802	Bail spring cover	0.45	44	B89-9501	Eared washer	0.35
12	B01-7102	Bail spring cover screw	0.45	45	375-0402	Drag washer B	0.65
13	B11-2802	Line roller screw	0.50	46	E02-4401	Key washer B	0.35
14	B11-2701	Lock washer	0.40	47	E07-1001	Drag coil spring	0.70
15	B80-3501	Bail arm	1.95	48	B27-0701	Drag washer D	0.50
16	B66-5801	Bail arm screw	1.00	49	B78-1504	Drag screw	0.90
17	501-2001	Line roller washer	0.50	50	B78-1602	Drag washer C	0.35
18	250-4502	Line roller	0.60	51	B78-1701	Drag washer spring	0.40
19	E07-2201	Bail	4.50	52	B78-1803	Drag knob	1.35
20	B84-2101	Bail trip cam screw	0.60	53	B77-5801	Drag knob screw	1.15
21	B13-5701	Spring holder	1.00	54	B79-0501	Oscillating gear	0.90
22	B13-5801	Anti-reverse pawl spring	0.35	55	B78-9801	Oscillating gear collar	0.35
23	B34-2201	Anti-reverse ratchet	1.00	56	501-6102	Bushing	0.35
24	B78-6701	Pinion spacer	0.50	57	B78-9501	Drive gear	1.70
25	B84-2102	Bearing retainer screw	0.40	58	371-2800	Drive gear washer	0.40
26	B47-9201	Ball bearing retaining washer	0.50	59	501-6102	Bushing	0.35
27	B54-6001	Ball bearing	6.00	60	B78-3306	Side cover	7.90
28	B78-9401	Pinion gear	2.90	61	B83-5002	Side cover screw	0.40
29	E07-1901	Body	16.50	62	B90-3103	Handle	11.30
30	144-0321	Anti-reverse cam	0.50	63	501-8401	Handle collar	0.50
31	461-5021	Anti-reverse cam spring	1.95	64	363-8611	Handle screw	0.60
32	B46-9601	Anti-reverse pawl screw	0.50	65	363-4703	Handle screw cap	0.55
33	041-9101	Anti-reverse pawl plate	0.55				