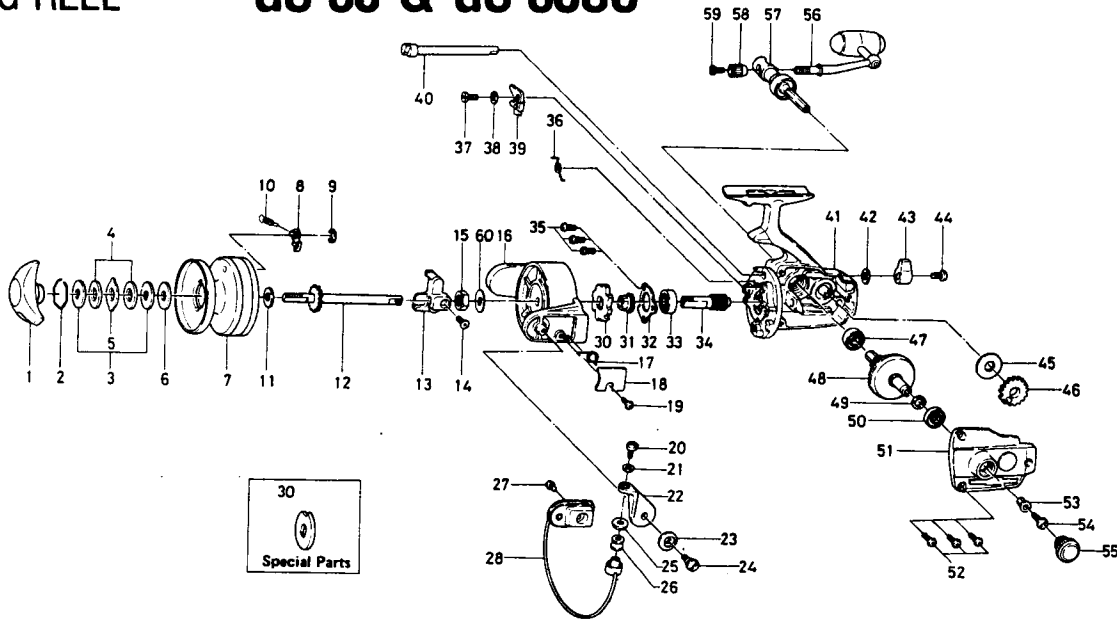


## SPINNING REEL

## GS-60 & GS-60SC



KEY NO. 2 ~ 10  
6-733-1402

### SPOOL ASSEMBLY

KEY NO. 56 ~ 59  
6-747-2002

### HANDLE ASSEMBLY

SPECIAL PART FOR GS-60SC  
6-280-7112

### RATCHET

| Key No. | Parts No.  | Parts Name                | Key No. | Parts No.  | Parts Name                     |
|---------|------------|---------------------------|---------|------------|--------------------------------|
| 1       | 6-000-8241 | Drag knob                 | 31      | 6-270-7111 | Click gear                     |
| 2       | 6-170-4511 | Drag washer retainer      | 32      | 6-050-5101 | Ball bearing ret. washer       |
| 3       | 6-372-7812 | Drag D washer             | 33      | 6-635-5001 | Ball bearing                   |
| 4       | 6-372-9011 | Disc washer               | 34      | 6-403-0801 | Pinion gear                    |
| 5       | 6-375-5401 | Drag A washer             | 35      | 6-351-6601 | Ball bearing ret. washer screw |
| 6       | 6-372-7701 | Drag washer A             | 36      | 6-144-0321 | Anti-reverse cam spring        |
| 7       | 6-733-1502 | Spool                     | 37      | 6-363-3601 | Anti-reverse claw screw        |
| 8       | 6-807-8201 | Spool click claw          | 38      | 6-375-5200 | Anti-reverse claw washer       |
| 9       | 6-363-8401 | Spool click claw retainer | 39      | 6-770-0931 | Anti-reverse claw              |
| 10      | 6-145-2101 | Spool click claw spring   | 40      | 6-461-5102 | Anti-reverse cam               |
| 11      | 6-376-1701 | Spool washer              | 41      | 6-701-1101 | Body                           |
| 12      | 6-710-2214 | Main shaft                | 42      | 6-373-2700 | Anti-reverse lever washer      |
| 13      | 6-481-1011 | Oscillating slider        | 43      | 6-541-6101 | Anti-reverse lever             |
| 14      | 6-351-8901 | Oscillating slider screw  | 44      | 6-352-2501 | Anti-reverse lever screw       |
| 15      | 6-340-8301 | Rotor nut                 | 45      | 6-374-5400 | Oscillating gear washer        |
| 16      | 6-201-7603 | Rotor                     | 46      | 6-412-3612 | Oscillating gear               |
| 17      | 6-144-2201 | Bail spring               | 47      | 6-636-6011 | Ball bearing                   |
| 18      | 6-633-0701 | Bail spring cover         | 48      | 6-414-0101 | Drive gear                     |
| 19      | 6-351-1801 | Bail spring cover screw   | 49      | 6-371-2800 | Drive gear washer              |
| 20      | 6-363-3111 | Bail screw                | 50      | 6-636-6011 | Ball bearing                   |
| 21      | 6-375-1101 | Bail washer               | 51      | 6-706-7801 | Body cover                     |
| 22      | 6-231-1901 | Arm lever                 | 52      | 6-351-6401 | Body cover screw               |
| 23      | 6-130-3201 | Bail holder cap           | 53      | 6-501-8401 | Handle screw holder            |
| 24      | 6-363-1901 | Arm lever screw           | 54      | 6-363-8611 | Handle screw                   |
| 25      | 6-501-2001 | Roller collar             | 55      | 6-363-4702 | Handle screw cap               |
| 26      | 6-250-4321 | Line roller               | 56      | 6-747-2411 | Handle arm                     |
| 27      | 6-351-6401 | Bail holder screw         | 57      | 6-747-2501 | Handle stand                   |
| 28      | 6-725-1220 | Bail                      | 58      | 6-342-3101 | Handle arm ret. nut            |
| 30      | 6-280-5401 | Ratchet                   | 59      | 6-353-9101 | Handle arm ret. nut screw      |
|         |            |                           | 60      | 6-375-7701 | Rotor washer                   |