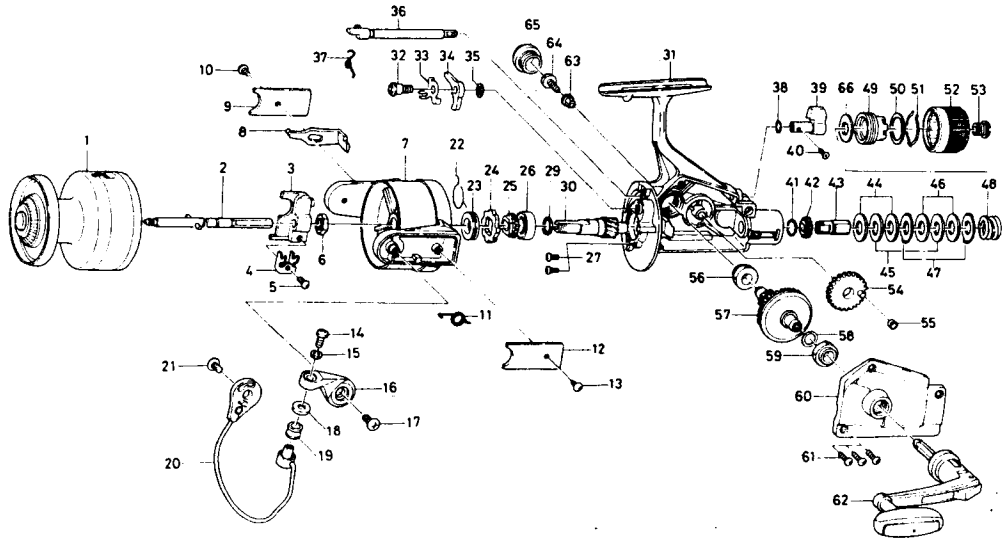


SPINNING REEL GS7050



Key No.	Parts No.	Parts Name	Price Each	Key No.	Parts No.	Parts Name	Price Each
1	E07-1401	Spool assembly	8.50	35	375-3002	Anti-reverse pawl washer	0.40
2	B77-6901	Main shaft	4.25	36	461-5122	Anti-reverse cam	2.05
3	B77-7301	Oscillating slider	1.00	37	144-0321	Anti-reverse cam spring	0.50
4	B77-7401	Oscillating slider retainer	0.40	38	375-5201	Anti-reverse lever washer	0.35
5	351-6605	Oscillating block screw	0.35	39	B77-4301	Anti-reverse lever	1.85
6	340-8301	Rotor nut	0.50	40	B34-2101	Anti-reverse lever screw	0.35
7	B86-8402	Rotor	13.75	41	B52-2101	Key washer retainer	0.35
8	B77-9801	Bail trip lever	0.70	42	B27-1601	Key washer A	1.00
9	B77-6601	Bail trip cover	0.35	43	B80-0301	Drag washer holder	0.95
10	B01-7102	Bail trip cover screw	0.45	44	B77-5002	Drag washer A	0.50
11	B19-7201	Bail spring	0.50	45	372-9605	Key washer B	0.70
12	B77-6401	Bail spring cover	0.35	46	B77-5101	Drag washer B	0.40
13	B01-7102	Bail spring cover screw	0.45	47	B86-9301	Eared washer	0.35
14	B11-2802	Line roller screw	0.50	48	E07-1001	Drag coil spring	0.70
15	B11-2701	Lock washer	0.40	49	B77-5402	Drag screw	1.15
16	B80-3501	Bail arm	1.95	50	B77-9101	Drag washer C	0.35
17	B66-5801	Bail arm screw	1.00	51	B77-5501	Drag washer spring	0.55
18	501-2001	Line roller washer	0.50	52	B77-5603	Drag knob	1.35
19	250-4502	Line roller	0.60	53	B77-5801	Drag knob screw	1.15
20	E07-1101	Bail	4.95	54	B78-9701	Oscillating gear	0.95
21	B84-2101	Bail trip cam screw	0.60	55	B78-9801	Oscillating gear collar	0.35
22	B13-5801	Anti-reverse pawl spring	0.35	56	501-6102	Bushing	0.35
23	B13-5701	Spring holder	1.00	57	B78-9001	Drive gear	1.75
24	B84-9901	Anti-reverse ratchet	1.20	58	371-2800	Drive gear washer	0.40
25	B32-1301	Click gear	0.95	59	501-6102	Bushing	0.35
26	637-6101	Ball bearing	6.65	60	E07-1301	Side cover	8.15
27	E00-7101	Bearing retainer screw	0.35	61	B83-5002	Side cover screw	0.40
29	E90-9201	Ball bearing retaining washer	0.50	62	B88-0503	Handle	11.50
30	B78-8901	Pinion gear	3.20	63	501-8401	Handle collar	0.50
31	E07-0801	Body	17.05	64	363-8611	Handle screw	0.60
32	B05-7201	Anti-reverse pawl screw	0.55	65	363-4703	Handle screw cap	0.55
33	B01-5501	Anti-reverse pawl plate	0.50	66	370-7511	Drag washer D	0.35
34	111-3802	Anti-reverse pawl	0.75				