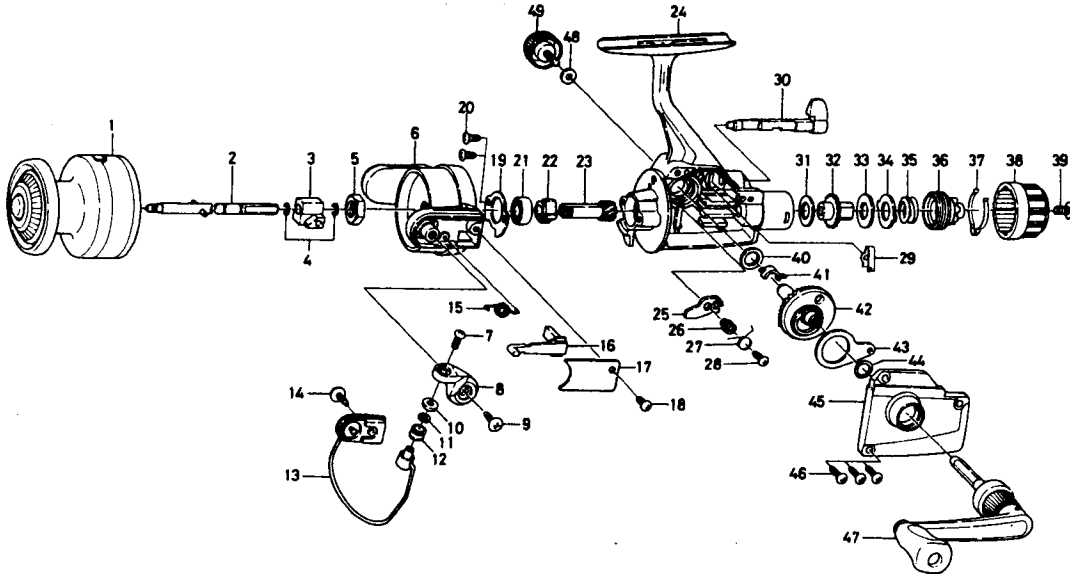


SPINNING REEL GS750



Key No.	Parts No.	Parts Name	Price Each	Key No.	Parts No.	Parts Name	Price Each
1	E-03-6501	Spool	7.00	26	E03-3001	Anti-reverse pawl collar	0.35
2	E03-6401	Main shaft	1.45	27	B95-9601	Anti-reverse pawl spring	0.35
3	B98-6501	Oscillating support	0.70	28	E02-7401	Anti-reverse pawl screw	0.35
4	E04-0601	Oscillating support retainer	0.35	29	B58-8601	Anti-reverse cam spring	0.40
5	342-4001	Rotor nut	0.50	30	E03-2802	Anti-reverse cam	0.95
6	E02-5404	Rotor	6.00	31	B58-9104	Drag washer A	0.35
7	B67-9302	Line roller screw	0.35	32	E03-5101	Click gear	0.70
8	E03-3901	Bail arm	1.05	33	B58-9601	Drag washer B	0.40
9	B84-2102	Bail arm screw	0.40	34	B58-9501	Eared washer	0.35
10	B97-9801	Line roller collar	0.40	35	B58-9801	Drag coil spring	0.40
11	B55-4301	Line roller washer	0.35	36	E03-3101	Drag screw	0.70
12	250-3921	Line roller	0.80	37	E03-3201	Drag washer spring	0.35
13	E03-4202	Bail	3.55	38	E03-3302	Drag knob	1.65
14	B93-3001	Bail trip cam screw	0.35	39	353-8203	Drag knob spring screw	0.35
15	E03-4001	Bail spring	0.50	40	E03-4501	Drive gear washer A	0.35
16	E03-3801	Bail trip lever	0.40	41	B96-0801	Drive gear collar	0.35
17	E03-4102	Bail spring cover	0.35	42	E03-6301	Drive gear	1.05
18	B93-3001	Bail spring cover screw	0.35	43	481-1331	Oscillating slider	0.70
19	E03-3701	Bearing retainer	0.35	44	375-8500	Drive gear washer B	0.40
20	B93-3001	Bearing retainer screw	0.35	45	E04-2001	Side cover	6.80
21	B18-1601	Ball bearing	7.25	46	B83-5002	Side cover screw	0.40
22	E03-6201	Anti-reverse ratchet	1.65	47	E03-5902	Handle	6.30
23	E03-6101	Pinion gear	2.60	48	B92-4901	Handle lock washer	0.40
24	E03-6001	Body	12.00	49	E03-5501	Handle lock screw	0.75
25	E03-2901	Anti-reverse pawl	0.45				