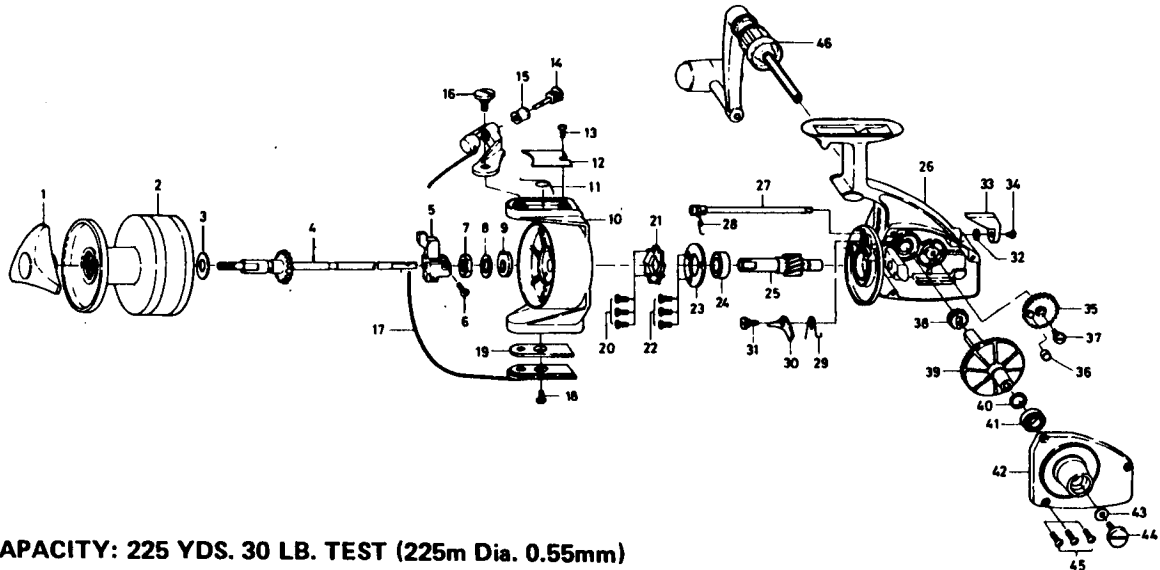




SPINNING REEL **GS-9**



LINE CAPACITY: 225 YDS. 30 LB. TEST (225m Dia. 0.55mm)

Key No.	Parts No.	Parts Name	Key No.	Parts No.	Parts Name
1	60031801	Drag knob	24	66331001	Ball bearing
2	67305705	Spool assembly	25	64011801	Pinion
3	63729601	Spool washer	26	60032424	Body
4	60031921	Main shaft	27	60032131	Anti-reverse cam
5	64805221	Oscillating slider	28	61423511	Anti-reverse cam spring
6	63519001	Oscillating slider screw	29	61420301	Anti-reverse claw spring
7	63408301	Rotor nut	30	61106011	Anti-reverse claw
8	61601711	Rotor washer	31	63616901	Anti-reverse claw screw
9	63729301	Rotor retaining washer	32	63729911	Anti-reverse lever washer
10	62008501	Rotor	33	65405801	Anti-reverse lever
11	61420201	Bail spring	34	63511801	Anti-reverse lever screw
12	66331311	Bail spring cover	35	60032501	Oscillating gear
13	63516101	Cover screw	36	65005501	Oscillating collar
14	67809101	Bail screw	37	63617301	Oscillating gear screw
15	62502111	Line roller	38	64011701	Oscillating pinion
16	63617011	Arm lever screw	39	64117211	Drive gear
17	60032001	Bail	40	63712820	Drive gear washer
18	63516101	Bail holder screw	41	66317611	Ball bearing
19	62102901	Balancer	42	60034214	Body cover
20	63518901	Ratchet screw	43	63723501	Handle washer
21	62802511	Ratchet	44	63612211	Handle screw
22	63518901	Ball bearing retaining screw	45	63518801	Body cover screw
23	66331101	Ball bearing retainer	46	67456812	Handle