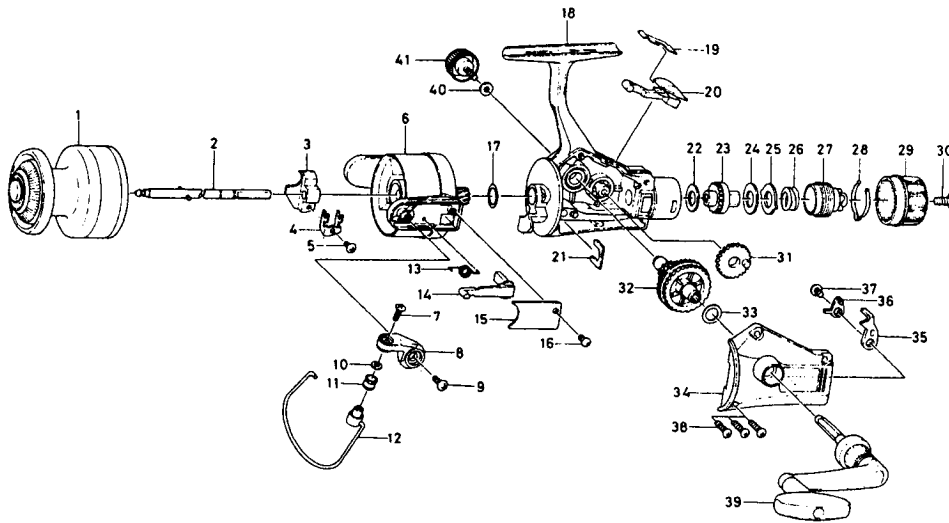


SPINNING REEL J1050/MJ1050



Key No.	Parts No.	Parts Name	Key No.	Parts No.	Parts Name
* 1		Spool	22	B48-9901	Drag washer A
2	B74-8201	Main shaft	23	B74-7401	Click gear
3	B74-8101	Oscillating slider	24	B76-0501	Drag washer B
4	B81-2701	Oscillating slider retainer	25	B49-0102	Eared washer
5	351-1804	Oscillating slider screw	26	B92-6701	Drag coil spring
* 6		Rotor	27	B74-7603	Drag screw
7	B67-9301	Line roller screw	28	B74-7701	Drag washer spring
8	B91-6701	Bail arm	29	B74-7801	Drag knob
9	351-6102	Bail arm screw	30	352-1103	Drag knob spring screw
10	B55-4301	Line roller washer	31	413-4501	Oscillating gear
11	250-3921	Line roller	32	B91-7101	Drive gear
12	B92-3901	Bail	33	375-8500	Drive gear washer
13	B91-6501	Bail spring	* 34		Side cover
14	B92-3801	Bail trip lever	35	E05-2001	Anti-reverse pawl
15	B91-6801	Bail spring cover	36	B50-1201	Anti-reverse pawl plate
16	352-0402	Bail spring cover screw	37	351-6102	Anti-reverse pawl screw
17	372-8600	Spool washer	38	351-6407	Side cover screw
* 18		Body	39	B91-9401	Handle
19	B79-0101	Anti-reverse cam spring	40	B92-4901	Handle lock washer
20	B84-8901	Anti-reverse lever	41	B92-5001	Handle screw cap
21	B60-3801	Pinion retainer			

*Order by model and part name due to color change.