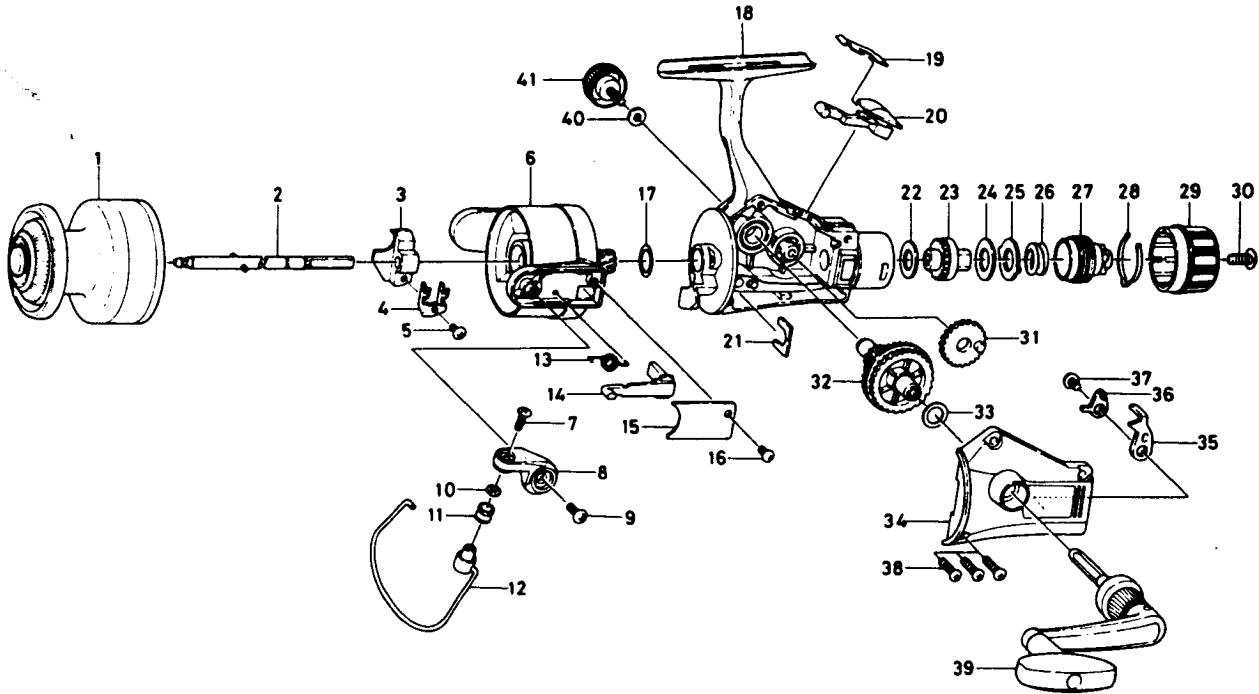


SPINNING REEL — J1050L



Key No.	Part No.	Part Name	Price
1	B77-8610	Spool	6.50
2	B74-8201	Main shaft	1.35
3	B74-8101	Oscillating slider	.90
4	B81-2701	Oscillating slider retainer	.40
5	351-1804	Oscillating slider screw	.45
6	K13-6501	Rotor	4.50
7	B67-9301	Line roller screw	.40
8	B91-6701	Bail arm	.90
9	351-6102	Bail arm screw	.50
10	B55-4301	Line roller washer	.40
11	250-3921	Line roller	.90
12	B92-3901	Bail	1.70
13	B91-6501	Bail spring	.50
14	B92-3802	Bail trip lever	.80
15	B91-6801	Bail spring cover	.45
16	352-0402	Bail spring cover screw	.45
17	372-8600	Spool washer	.35
18	K06-1403	Body	4.00
19	B79-0101	Anti-reverse cam spring	.55
20	B84-8901	Anti-reverse lever	.60
21	B60-3801	Pinion retainer	.40

Key No.	Part No.	Part Name	Price
22	B48-9902	Drag washer A	.45
23	B74-7401	Click gear	.50
24	B76-0501	Drag washer B	.45
25	B49-0102	Eared washer	.40
26	B92-6701	Drag coil spring	.55
27	B74-7603	Drag screw	.85
28	B74-7701	Drag washer spring	.45
29	B74-7801	Drag knob	.95
30	352-1103	Drag knob spring screw	.55
31	413-4501	Oscillating gear	.80
32	B91-7101	Drive gear	.65
33	375-8502	Drive gear washer	.35
34	K06-1603	Side cover	2.10
35	E05-2001	Anti-reverse pawl	.45
36	B50-1201	Anti-reverse pawl plate	.60
37	351-6102	Anti-reverse pawl screw	.50
38	351-6407	Side cover screw	.45
39	B91-9401	Handle	5.50
40	B92-4901	Handle lock washer	.35
41	B92-5001	Handle screw cap	.80