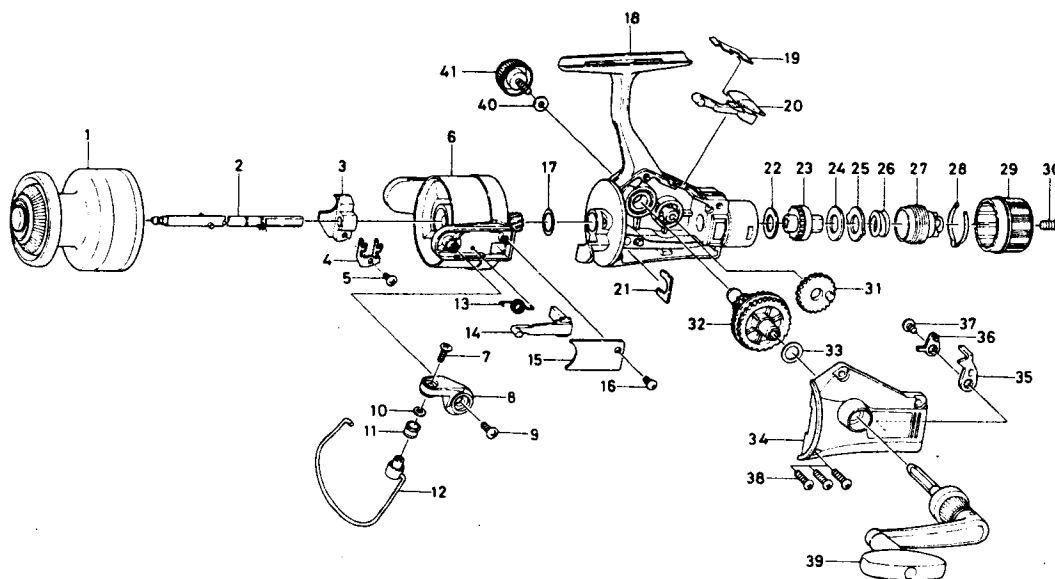


SPINNING REEL J1350



Key No.	Parts No.	Parts Name	Price Each	Key No.	Parts No.	Parts Name	Price Each
1	6-B94-5901	Spool	6.50	22	6-B48-9901	Drag washer A	0.50
2	6-B74-8201	Main shaft	1.15	23	6-B74-7401	Click gear	0.40
3	6-B74-8101	Oscillating slider	0.60	24	6-B76-0501	Drag washer B	0.50
4	6-B81-2701	Oscillating slider retainer	0.35	25	6-B49-0102	Eared washer	0.30
5	6-351-1805	Oscillating slider screw	0.35	26	6-141-8721	Drag coil spring	0.90
6	6-B91-6201	Rotor	5.10	27	6-B74-7603	Drag screw	0.40
7	6-B67-9304	Line roller screw	0.35	28	6-B74-7701	Drag washer spring	0.35
8	6-B91-6701	Bail arm	0.50	29	6-B74-7801	Drag knob	0.40
9	6-351-6105	Bail arm screw	0.35	30	6-352-1106	Drag knob spring screw	0.35
10	6-B55-4301	Line roller washer	0.35	31	6-413-4501	Oscillating gear	0.35
11	6-250-3921	Line roller	0.45	32	6-B91-7101	Drive gear	1.80
12	6-B91-6901	Bail	1.00	33	6-375-8500	Drive gear washer	0.50
13	6-B91-6501	Bail spring	0.50	34	6-B91-7201	Side cover	2.65
14	6-B91-6601	Bail trip lever	0.35	35	6-B92-0101	Anti-reverse pawl	0.35
15	6-B91-6801	Bail spring cover	0.35	36	6-B50-1202	Anti-reverse pawl plate	0.40
16	6-352-0405	Bail spring cover screw	0.35	37	6-351-6105	Anti-reverse pawl screw	0.35
17	6-372-8600	Spool washer	0.35	38	6-351-6410	Side cover screw	0.50
18	6-B94-6901	Body	5.20	39	6-B91-9401	Handle	3.85
19	6-B79-0101	Anti-reverse cam spring	0.40	40	6-B92-4901	Handle lock washer	0.35
20	6-B84-8901	Anti-reverse lever	0.40	41	6-B92-5001	Handle screw cap	1.85
21	6-B60-3801	Pinion retainer	0.35				