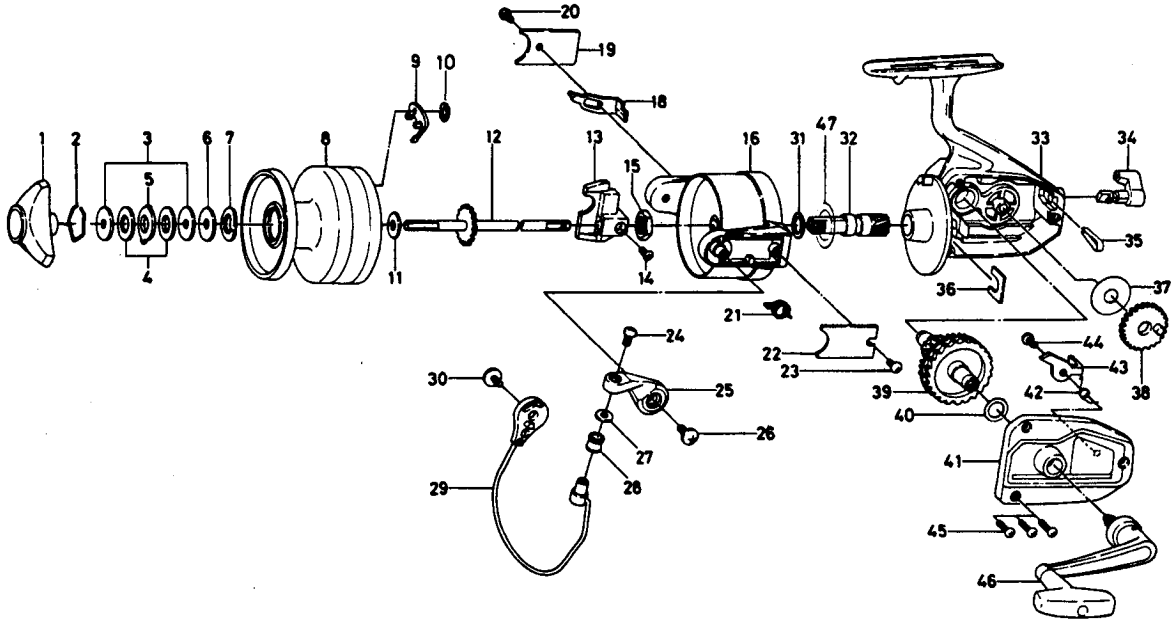


**SPINNING REEL J 4000**



Key No.	Parts No.	Parts Name	Key No.	Parts No.	Parts Name
1	.B63-2601	Drag knob	25	B19-7303	Bail arm
2	.170-4511	Drag washer retainer	26	352-1103	Bail arm screw
3	.372-7812	Key washer	27	B59-9501	Bail washer
4	.372-9012	Drag washer	28	250-4501	Line roller
5	.375-5401	Drag A washer	29	B63-1001	Bail
6	372-7701	Drag washer A	30	352-1103	Bail trip cam screw
7	.150-8401	Drag spring washer	31	B63-0701	Pinion washer
8	.K01-6101	Spool	32	B63-0501	Pinion gear
9	030-4411	Click Pawl	33	K01-2901	Body
10	.320-9701	Click Pawl retainer	34	B66-2301	Anti-reverse lever
11	376-1701	Spool washer	35	B11-4303	Anti-reverse lever spring
12	B63-1401	Main shaft	36	B63-1201	Pinion retainer
13	481-1011	Oscillating Slider	37	374-5400	Oscillating gear washer
14	351-8901	Oscillating block screw	38	412-3611	Oscillating gear
15	342-5001	Rotor nut	39	B63-1301	Drive gear
16	B63-0603	Rotor	40	371-6400	Drive gear washer
18	B63-0802	Bail trip lever	41	K01-3001	Side cover
19	.B63-0903	Bail trip lever cover	42	B60-1601	Anti-reverse Pawl spring
20	352-0402	Bail trip lever cover screw	43	B63-1901	Anti-reverse Pawl
21	B19-7201	Bail spring	44	351-6102	Anti-reverse Pawl screw
22	634-6803	Bail spring cover	45	351-5904	Side cover screw
23	352-0402	Bail spring cover screw	46	B63-2101	Handle
24	B11-2801	Bail screw	47	375-9702	Rotor washer