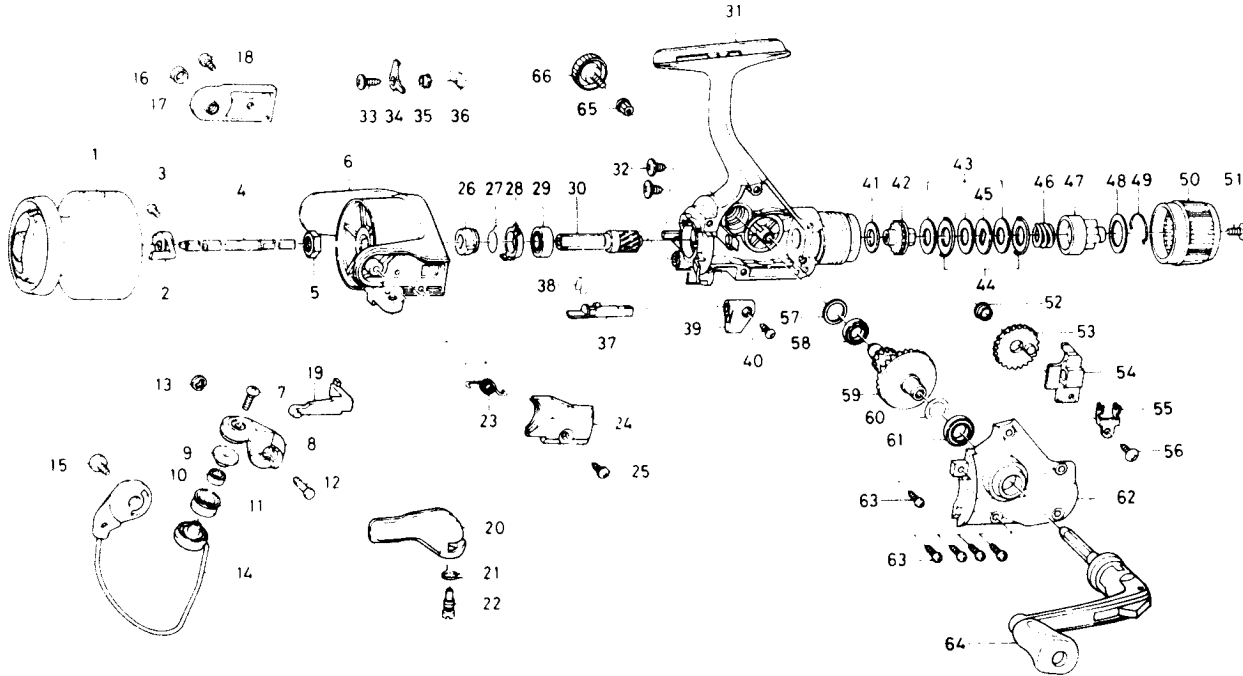


# SPINNING REEL PG1355BL



| Key No. | Parts No. | Parts Name                 | Key No. | Parts No. | Parts Name                  |
|---------|-----------|----------------------------|---------|-----------|-----------------------------|
| 1       | F19-6801  | Spool assembly             | 34      | F19-5301  | Anti-reverse pawl           |
| 2       | F19-6702  | Spool metal                | 35      | L01-4302  | Anti-reverse pawl collar    |
| 3       | 351-1001  | Spool metal screw          | 36      | L00-1501  | Anti-reverse pawl spring B  |
| 4       | F19-5502  | Main shaft                 | 37      | F19-5101  | Anti-reverse cam            |
| 5       | 341-9201  | Rotor nut                  | 38      | F19-5201  | Anti-reverse cam spring     |
| 6       | F11-1205  | Rotor                      | 39      | F19-4901  | Anti-reverse lever          |
| 7       | B67-9305  | Line roller screw          | 40      | B64-6602  | Anti-reverse lever screw    |
| 8       | F17-9801  | Bail arm                   | 41      | B48-9902  | Drag washer A               |
| 9       | F06-6301  | Line roller collar         | 42      | B83-3604  | Click gear                  |
| 10      | F05-5601  | Ball bearing A             | 43      | L10-9601  | Drag washer B               |
| 11      | F05-8901  | Line roller                | 44      | L10-9701  | Eared washer                |
| 12      | E49-3501  | Bail arm screw             | 45      | L10-9801  | Key washer                  |
| 13      | 320-5901  | Sail arm screw retainer    | 46      | F06-2301  | Drag coil spring            |
| 14      | F18-0101  | Bail assembly              | 47      | F19-5901  | Drag collar                 |
| 15      | B51-5302  | Bail trip cam screw        | 48      | L11-0001  | Drag collar washer          |
| 16      | F17-3001  | Bail trip collar           | 49      | L08-5601  | Drag washer spring          |
| 17      | F17-9901  | Bail trip cover            | 50      | F19-9501  | Drag knob                   |
| 18      | L01-1701  | Bail trip cover screw      | 51      | E03-7802  | Drag knob screw             |
| 19      | E45-1601  | Bail trip lever            | 52      | E29-9401  | Oscillating gear collar     |
| 20      | F18-0001  | Trigger lever              | 53      | E45-1302  | Oscillating gear            |
| 21      | E36-9901  | Trigger spring             | 54      | F19-5401  | Oscillating slider          |
| 22      | E37-0001  | Trigger screw              | 55      | F19-5601  | Oscillating slider retainer |
| 23      | F22-2601  | Bail spring                | 56      | 350-8912  | Oscillating slider screw    |
| 24      | E49-4201  | Bail spring cover          | 57      | E50-5801  | Bearing washer              |
| 25      | E36-4201  | Bail spring cover screw    | 58      | 637-5701  | Ball bearing C              |
| 26      | E49-2401  | Anti-reverse ratchet       | 59      | F17-0001  | Drive gear                  |
| 27      | F19-6301  | Anti-reverse pawl spring A | 60      | 373-7800  | Drive gear washer           |
| 28      | F19-6201  | Spring holder              | 61      | 631-6901  | Ball bearing D              |
| 29      | L03-6601  | Ball bearing B             | 62      | F19-5703  | Side cover                  |
| 30      | E51-9801  | Pinion gear                | 63      | E15-8602  | Side cover screw            |
| 31      | F19-4806  | Body assembly              | 64      | F19-9401  | Handle assembly             |
| 32      | E03-7801  | Bearing retainer screw     | 65      | 501-8501  | Handle collar               |
| 33      | L00-1801  | Anti-reverse pawl screw    | 66      | B92-5002  | Handle lock screw           |