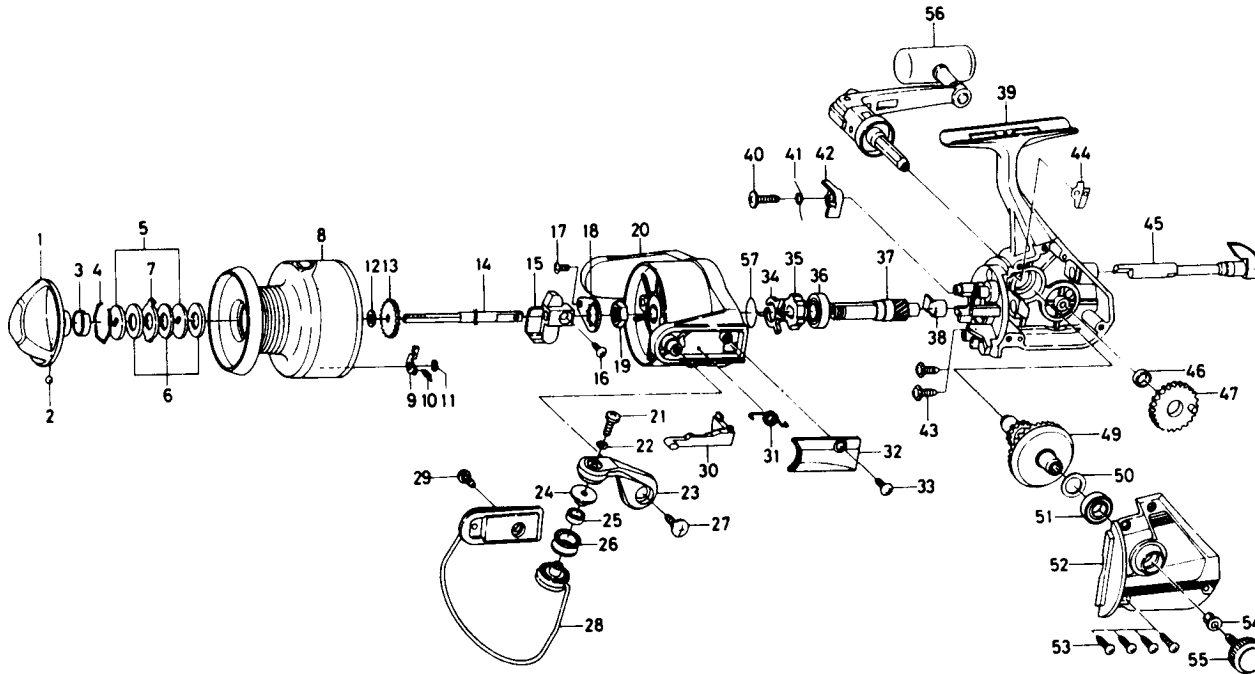


## SPINNING REEL PG7000BL



No. 4-11 L13-6701 Spool assembly

Key No.	Parts No.	Parts Name	Key No.	Parts No.	Parts Name
1	E50-9701	Drag knob	30	L11-5501	Bail trip lever
2	635-4701	Click ball	31	L06-7001	Bail spring
3	B32-8701	Click leaf spring	32	L11-5601	Bail spring cover
4	171-7701	Drag washer retainer	33	E36-4201	Bail spring cover screw
5	L03-1301	Key washer	34	L07-0701	Anti-reverse pawl spring A
6	373-3712	Drag washer	35	L09-1701	Anti-reverse ratchet
7	B89-9501	Eared washer	36	637-6101	Ball bearing B
8	L13-6801	Spool assembly	37	L11-4401	Pinion gear
9	B07-8201	Click pawl	38	L00-6001	Pinion collar
10	145-2101	Click spring	39	L13-6101	Body assembly
11	320-1402	Click retainer	40	L06-6501	Anti-reverse pawl screw
12	L11-9101	Spool washer	41	L06-6401	Anti-reverse pawl spring B
13	L11-8501	Click gear	42	L07-8601	Anti-reverse pawl
14	L11-9502	Main shaft	43	L01-1601	Bearing retainer screw
15	L11-4801	Oscillating slider	44	E01-1801	Anti-reverse cam spring
16	351-8901	Oscillating slider screw	45	L10-0710	Anti-reverse lever
17	L01-1702	Rotor nut holding plate	46	B47-4101	Oscillating gear collar
18	B02-1601	Rotor nut holding plate screw	47	L11-4701	Oscillating gear
19	340-8301	Rotor nut	49	L07-1701	Drive gear
20	L11-5408	Rotor	50	371-2800	Drive gear washer
21	E45-4001	Line roller screw	51	B54-6001	Ball bearing C
22	160-8401	Lock washer	52	L12-6916	Side cover
23	E50-9901	Bail arm	53	B83-5001	Side cover screw
24	F08-8301	Line roller collar	54	501-8401	Handle collar
25	F05-5601	Ball bearing A	55	L00-9101	Handle lock screw
26	F05-8901	Line roller	56	L05-8401	Handle assembly
27	E00-7602	Bail arm screw	57	F21-2001	Anti-reverse pawl spring C
28	E50-7501	Bail assembly			
29	L01-1701	Bail trip cam screw			