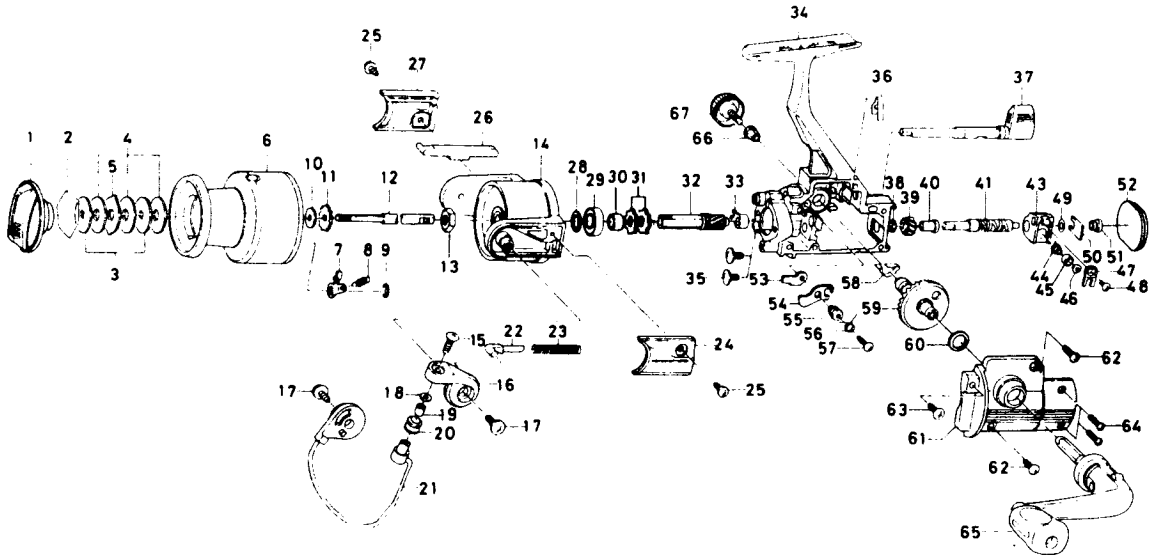


SPINNING REEL PM1300H



Key No. 2-9
E37-4602 Spool assembly

Key No.	Parts No.	Parts Name	Key No.	Parts No.	Parts Name
1	E27-2804	Drag knob	34	E36-7101	Body
2	171-7701	Drag washer retainer	35	E03-7801	Bearing retainer screw
3	E13-6101	Key washer	36	E26-8701	Anti-reverse cam spring
4	E13-6003	Drag washer	37	E36-3202	Anti-reverse lever
5	373-3603	Eared washer	38	B33-9801	Worm shaft gear retainer
6	E37-4502	Spool assembly	39	F00-5601	Worm shaft gear
7	B07-5303	Click pawl	40	E39-3501	Worm shaft bush
8	E40-3101	Click spring	41	E27-1601	Worm shaft
9	320-5901	Click retainer	43	F02-4301	Oscillating slider
10	E39-4001	Spool washer	44	E19-1201	Oscillating pawl
11	E36-5301	Click gear	45	E19-1301	Oscillating pawl bush
12	E36-3901	Main shaft	46	375-0800	Oscillating pawl washer
13	341-9201	Rotor nut	47	E24-4901	Oscillating slider cover
14	E36-4302	Rotor	48	E15-0202	Oscillating slider cover screw
15	B67-9302	Line roller screw	49	375-4100	Worm shaft washer
16	F00-8501	Bail arm	50	E36-3801	Worm shaft retainer
17	E00-7101	Bail arm screw	51	E39-3601	Worm shaft collar
18	B55-4301	Line roller washer	52	E36-7501	Rear cover
19	B45-1501	Line roller bushing	53	B95-9301	Anti-reverse pawl plate
20	E22-5101	Line roller	54	E27-1301	Anti-reverse pawl
21	E36-7601	Bail	55	B95-9501	Anti-reverse pawl collar
22	E36-4401	Bail spring shaft	56	B95-9602	Anti-reverse pawl spring A
23	E39-0501	Bail spring	57	B00-8601	Anti-reverse pawl screw
24	E36-4601	Bail spring cover	58	E24-5301	Anti-reverse pawl spring B
25	E36-4201	Bail spring cover screw	59	F00-5701	Drive gear
26	E36-5001	Bail trip lever	60	375-8500	Drive gear washer
27	E36-5101	Bail trip cover	61	E36-7301	Left side cover
28	375-8503	Ball bearing retaining washer	62	E15-8601	Side cover screw A
29	L03-6601	Ball bearing	63	E15-8602	Side cover screw B
30	E36-3601	Spacing sleeve	64	E11-9601	Side cover screw C
31	E27-1501	Anti-reverse ratchet	65	F02-0103	Handle assembly
32	E36-9201	Pinion gear	66	501-8501	Handle collar
33	E24-3301	Pinion holder	67	F03-5601	Handle lock screw