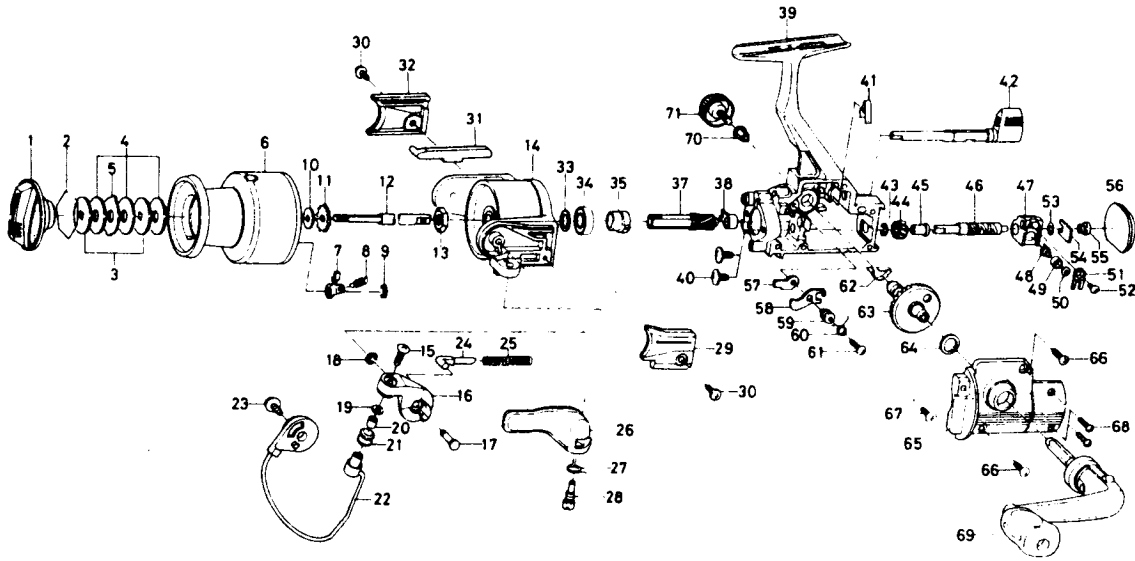


SPINNING REEL PM1305H



Key No. 2-9
E37-4602 Spool assembly

| Key No. | Parts No. | Parts Name | Key No. | Parts No. | Parts Name |
|---------|-----------|-------------------------------|---------|-----------|--------------------------------|
| 1 | E27-2804 | Drag knob | 37 | E36-9201 | Pinion gear |
| 2 | 171-7701 | Drag washer retainer | 38 | E24-3301 | Pinion holder |
| 3 | E13-6101 | Key washer | 39 | E36-7101 | Body |
| 4 | E13-6003 | Drag washer | 40 | E03-7801 | Bearing retainer screw |
| 5 | 373-3603 | Eared washer | 41 | E26-8701 | Anti-reverse cam spring |
| 6 | E37-4502 | Spool assembly | 42 | E36-3202 | Anti-reverse lever |
| 7 | B07-5303 | Click pawl | 43 | B33-9801 | Worm shaft gear retainer |
| 8 | E40-3101 | Click spring | 44 | F00-5601 | Worm shaft gear |
| 9 | 320-5901 | Click retainer | 45 | E39-3501 | Worm shaft bush |
| 10 | E39-4001 | Spool washer | 46 | E27-1601 | Worm shaft |
| 11 | E36-5301 | Click gear | 47 | F02-4301 | Oscillating slider |
| 12 | E36-3901 | Main shaft | 48 | E19-1201 | Oscillating pawl |
| 13 | 341-9201 | Rotor nut | 49 | E19-1301 | Oscillating pawl bush |
| 14 | E36-8002 | Rotor | 50 | 375-0800 | Oscillating pawl washer |
| 15 | B67-9302 | Line roller screw | 51 | E24-4901 | Oscillating slider cover |
| 16 | E36-9501 | Bail arm | 52 | E15-0202 | Oscillating slider cover screw |
| 17 | E36-9601 | Bail arm screw | 53 | 375-4100 | Worm shaft washer |
| 18 | 320-5901 | Bail arm screw retainer | 54 | E36-3801 | Worm shaft retainer |
| 19 | B55-4301 | Line roller washer | 55 | E39-3601 | Worm shaft collar |
| 20 | B45-1501 | Line roller bushing | 56 | E36-7502 | Rear cover |
| 21 | E22-5101 | Line roller | 57 | B95-9301 | Anti-reverse pawl plate |
| 22 | E37-1401 | Bail | 58 | E27-1301 | Anti-reverse pawl |
| 23 | E00-7101 | Bail trip cam screw | 59 | B95-9501 | Anti-reverse pawl collar |
| 24 | E36-4401 | Bail spring shaft | 60 | B95-9602 | Anti-reverse pawl spring A |
| 25 | E39-0601 | Bail spring | 61 | B00-8601 | Anti-reverse pawl screw |
| 26 | E36-9801 | Trigger lever | 62 | E24-5301 | Anti-reverse pawl spring B |
| 27 | E36-9901 | Trigger spring | 63 | F00-5701 | Drive gear |
| 28 | E37-0001 | Trigger screw | 64 | 375-8500 | Drive gear washer |
| 29 | E36-9702 | Bail spring cover | 65 | E36-7301 | Left side cover |
| 30 | E36-4201 | Bail spring cover screw | 66 | E15-8601 | Side cover screw A |
| 31 | E36-5001 | Bail trip lever | 67 | E15-8602 | Side cover screw B |
| 32 | E36-5101 | Bail trip cover | 68 | E11-9601 | Side cover screw C |
| 33 | 375-8503 | Ball bearing retaining washer | 69 | F02-0103 | Handle assembly |
| 34 | L03-6601 | Ball bearing | 70 | 501-8501 | Handle collar |
| 35 | F03-7501 | Anti-reverse ratchet | 71 | F03-5601 | Handle lock screw |