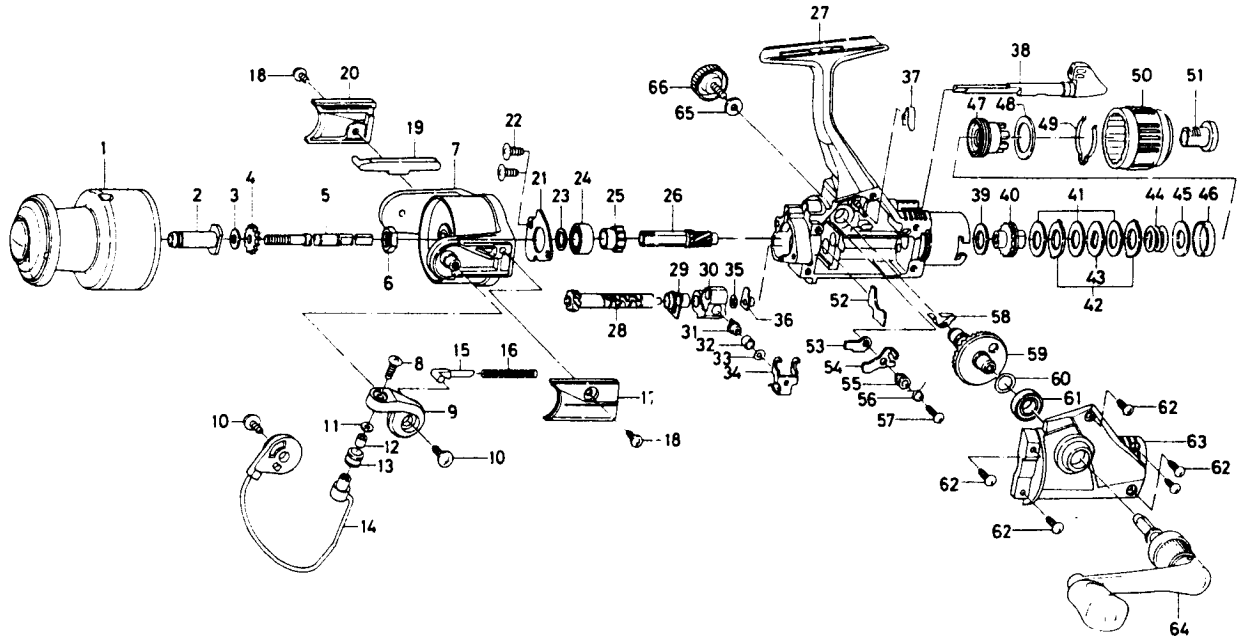


SPINNING REEL — PM1350



Key

No.	Part No.	Part Name	Price
1	F06-5002	Spool assembly	11.00
2	F05-8101	Spool metal	2.10
3	374-6400	Spool washer	.40
4	E13-1201	Main shaft washer	.95
5	F05-7201	Main shaft	2.80
6	341-9201	Rotor nut	.55
7	E36-4305	Rotor	4.50
8	B67-9304	Line roller screw	.40
9	F00-8501	Bail arm	1.65
10	E00-7101	Bail arm screw	.45
11	B55-4301	Line roller washer	.40
12	B45-1501	Line roller bushing	.60
13	250-3921	Line roller	.90
14	F12-2901	Bail assembly	4.50
15	E36-4401	Bail spring shaft	.70
16	E39-0501	Bail spring	.60
17	E36-4601	Bail spring cover	1.65
18	E36-4202	Bail spring cover screw	.60
19	E36-5002	Bail trip lever	1.40
20	E36-5105	Bail trip cover	1.40
21	F05-7101	Bearing retainer	.55
22	E03-7801	Bearing retainer screw	.60
23	375-8503	Bearing washer	.60
24	L03-6601	Ball bearing A	6.80
25	F03-5301	Anti-reverse ratchet	.55
26	E41-7001	Pinion gear	5.15
27	F06-5102	Body assembly	17.85
28	F12-4001	Worm shaft	6.60
29	F08-7101	Worm shaft bush	.95
30	F05-6401	Oscillating slider	3.20
31	E19-1202	Oscillating pawl	4.55
32	E19-1301	Oscillating pawl bush	3.10
33	375-0800	Oscillating pawl washer	.40

Key

No.	Part No.	Part Name	Price
34	F05-7301	Oscillating slider cover	1.40
35	B53-6100	Worm shaft washer	.35
36	F05-6901	Worm shaft collar	.95
37	E26-8701	Anti-reverse cam spring	.55
38	F05-9903	Anti-reverse lever	2.40
39	B48-9904	Drag washer A	.45
40	F09-6501	Click gear	1.40
41	B49-0202	Drag washer B	.60
42	B49-0102	Eared washer	.40
43	B49-0301	Key washer	.45
44	F06-2301	Drag coil spring	.95
45	372-7601	Drag screw washer A	.55
46	F12-4401	Drag screw collar	.70
47	F05-7501	Drag screw	3.20
48	E49-5001	Drag screw washer B	.70
49	F05-9701	Drag washer spring	.70
50	F06-4901	Drag knob	2.65
51	F05-7801	Drag knob screw	1.45
52	F08-7201	Shield plate	.50
53	B95-9301	Anti-reverse pawl plate	.70
54	E27-1301	Anti-reverse pawl	1.15
55	B95-9501	Anti-reverse pawl collar	.95
56	B95-9602	Anti-reverse pawl spring A	.60
57	B00-8601	Anti-reverse pawl screw	.35
58	E24-5301	Anti-reverse pawl spring B	1.60
59	F00-7101	Drive gear	3.70
60	375-8501	Drive gear washer	.45
61	634-1301	Ball bearing B	6.95
62	E15-8602	Side cover screw	.60
63	F13-7302	Side cover	7.50
64	E41-7901	Handle assembly	7.75
65	F02-0201	Handle lock washer	.35
66	F03-5601	Handle lock screw	1.65