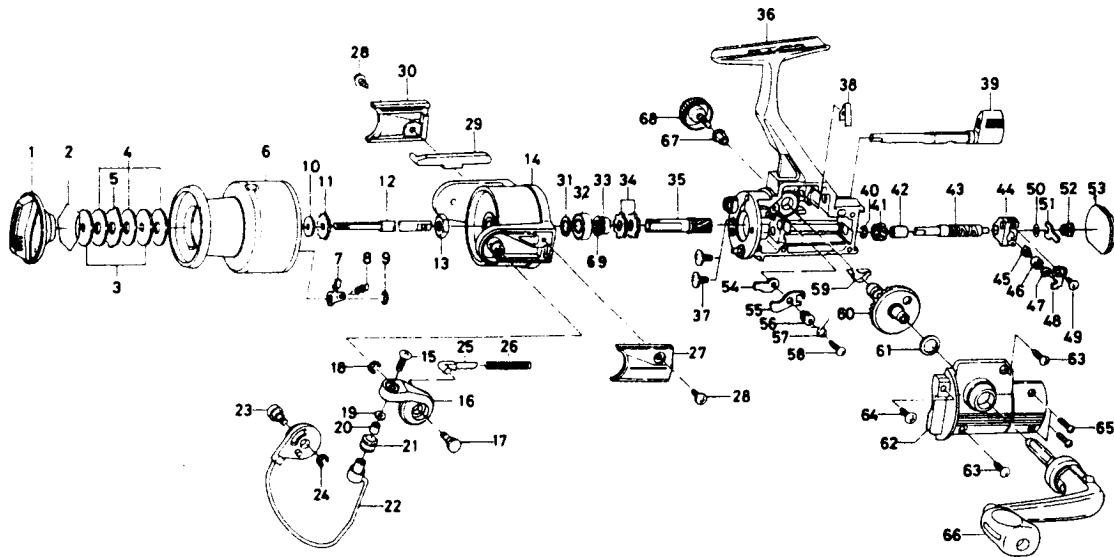


SPINNING REEL PM700H/1000H



Key No. 2-9

E36-8602 Spool assembly

Key No.	Parts No.	Parts Name
1	E29-8104	Drag knob
2	171-7701	Drag washer retainer
3	E13-6101	Key washer
4	E13-6003	Drag washer
5	373-3603	Eared washer
6	E36-8702	Spool assembly
7	B07-5303	Click pawl
8	E40-3101	Click spring
9	320-5901	Click retainer
10	E39-4001	Spool washer
11	E36-5301	Click gear
12	E37-2301	Main shaft
13	341-9201	Rotor nut
14	E36-8102	Rotor
15	B67-9302	Line roller screw
16	F01-0401	Bail arm
17	E37-1702	Bail arm screw
18	320-5901	Bail arm screw retainer
19	B55-4301	Line roller washer
20	B45-1501	Line roller bushing
21	E22-5101	Line roller
22	E38-8101	Bail
23	E37-1702	Bail trip cam screw
24	320-5901	Bail trip cam screw retainer
25	E36-8201	Bail spring shaft
26	E41-7701	Bail spring
27	E36-8302	Bail spring cover
28	E36-4201	Bail spring cover screw
29	E36-8401	Bail trip lever
30	E36-8502	Bail trip cover
31	375-8503	Ball bearing retaining washer
32	634-1301	Ball bearing
33	E29-6101	Spacing sleeve
34	E27-1501	Anti-reverse ratchet
35	F00-5301	Pinion gear
36	F01-9901	Body

Key No.

Parts No.

Parts Name

37	E10-7401	Bearing retainer screw
38	E26-8701	Anti-reverse cam spring
39	E36-3207	Anti-reverse lever
40	B33-9801	Worm shaft gear retainer
41	F03-6601	Worm shaft gear
42	E29-6501	Worm shaft bush
43	E39-3801	Worm shaft
44	F01-1003	Oscillating slider
45	E12-2403	Oscillating pawl
46	E12-4601	Oscillating pawl bush
47	375-0800	Oscillating pawl washer
48	E11-6801	Oscillating slider cover
49	E15-0202	Oscillating slider cover screw
50	B53-6100	Worm shaft washer
51	E29-6701	Worm shaft retainer
52	E29-6601	Worm shaft collar
53	F01-9801	Rear cover
54	B95-9301	Anti-reverse pawl plate
55	E27-1301	Anti-reverse pawl
56	B95-9501	Anti-reverse pawl collar
57	B95-9602	Anti-reverse pawl spring A
58	B00-8601	Anti-reverse pawl screw
59	E29-6901	Anti-reverse pawl spring B
60	E34-1501	Drive gear
61	375-8500	Drive gear washer
62	F02-0001	Side cover
63	E15-8601	Side cover screw A
64	E13-0501	Side cover screw B
65	E11-9601	Side cover screw C
66	F02-0403	Handle assembly
67	501-8501	Handle collar
68	F03-5601	Handle lock screw
69	375-8500	Pinion washer

PM1000H Special Parts

2-9	E38-1802	Spool assembly
6	E38-1902	Spool assembly
14	E38-1502	Rotor
22	E38-8601	Bail
53	F01-9804	Rear cover