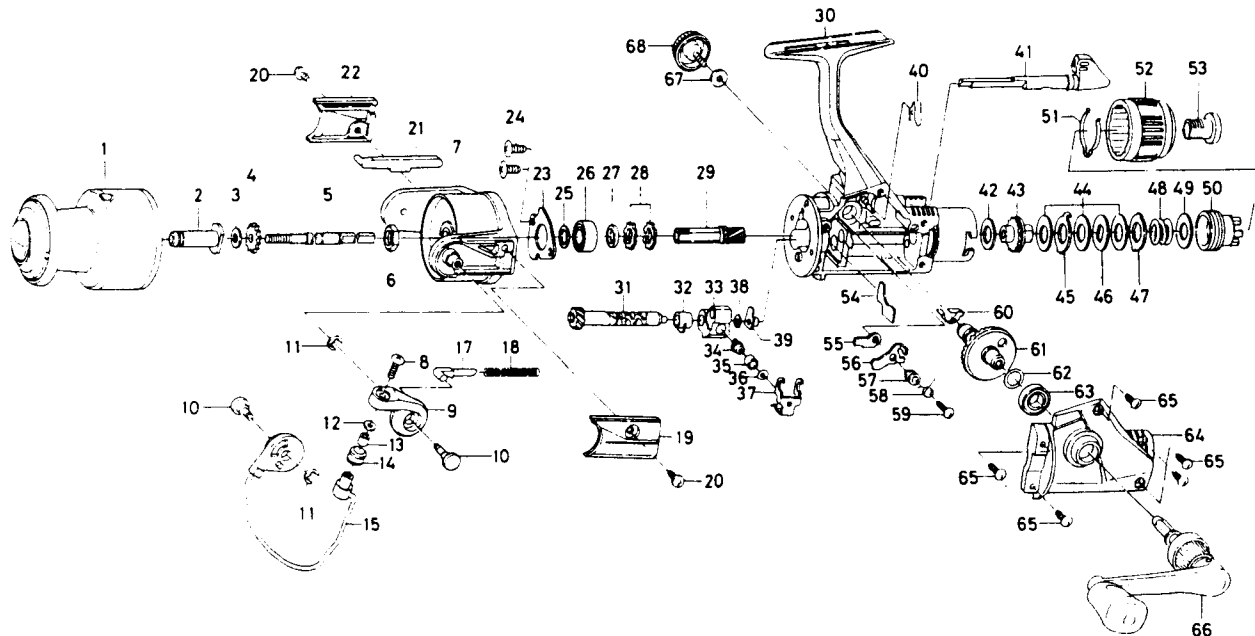


SPINNING REEL — PM750



Key

| No. | Part No. | Part Name | Price |
|-----|----------|-------------------------|-------|
| 1 | F07-5702 | Spool assembly | 10.00 |
| 2 | F07-4601 | Spool metal | 1.90 |
| 3 | 375-3002 | Spool washer | .45 |
| 4 | E13-1201 | Main shaft washer | .95 |
| 5 | F07-3201 | Main shaft | 3.00 |
| 6 | 341-9201 | Rotor nut | .55 |
| 7 | E36-8105 | Rotor | 4.50 |
| 8 | B67-9304 | Line roller screw | .40 |
| 9 | F01-0401 | Bail arm | 1.45 |
| 10 | E37-1702 | Bail arm screw | 1.15 |
| 11 | 320-5901 | Bail arm screw retainer | .50 |
| 12 | B55-4301 | Line roller washer | .40 |
| 13 | B45-1501 | Line roller bushing | .60 |
| 14 | 250-3921 | Line roller | .90 |
| 15 | F12-9101 | Bail assembly | 4.50 |
| 17 | E36-8201 | Bail spring shaft | .70 |
| 18 | E41-7701 | Bail spring | .70 |
| 19 | E36-8302 | Bail spring cover | 1.65 |
| 20 | E36-4202 | Bail spring cover screw | .60 |
| 21 | E36-8402 | Bail trip lever | 1.15 |
| 22 | E36-8505 | Bail trip cover | 1.40 |
| 23 | F05-7101 | Bearing retainer | .50 |
| 24 | E03-7801 | Bearing retainer screw | .60 |
| 25 | 375-8503 | Bearing washer | .60 |
| 26 | 634-1301 | Ball bearing A | 6.95 |
| 27 | E29-6101 | Spacing sleeve | .70 |
| 28 | E27-1501 | Anti-reverse ratchet | .75 |
| 29 | F07-5501 | Pinion gear | 5.60 |
| 30 | F11-1402 | Body assembly | 17.35 |
| 31 | F12-4301 | Worm shaft | 6.15 |
| 32 | F07-3001 | Worm shaft bush | .70 |
| 33 | F07-2601 | Oscillating slider | 3.25 |
| 34 | E12-2403 | Oscillating pawl | 4.95 |
| 35 | E12-4601 | Oscillating pawl bush | 2.35 |

Key

| No. | Part No. | Part Name | Price |
|-----|----------|----------------------------|-------|
| 36 | 375-0800 | Oscillating pawl washer | .40 |
| 37 | F07-3301 | Oscillating slider cover | 1.40 |
| 38 | B53-6100 | Worm shaft washer | .35 |
| 39 | F05-6901 | Worm shaft collar | .95 |
| 40 | E26-8701 | Anti-reverse cam spring | .60 |
| 41 | F07-2403 | Anti-reverse lever | 1.70 |
| 42 | B48-9902 | Drag washer A | .45 |
| 43 | F07-3701 | Click gear | 2.10 |
| 44 | B49-0202 | Drag washer B | .60 |
| 45 | B63-8301 | Eared washer A | .45 |
| 46 | B49-0301 | Key washer | .45 |
| 47 | B49-0102 | Eared washer B | .40 |
| 48 | B92-6703 | Drag coil spring | .55 |
| 49 | 372-7601 | Drag screw washer | .55 |
| 50 | F07-6301 | Drag screw | 2.60 |
| 51 | B74-7702 | Drag washer spring | .45 |
| 52 | F07-6601 | Drag knob | 2.65 |
| 53 | F05-7801 | Drag knob screw | 1.45 |
| 54 | F08-7201 | Shield plate | .50 |
| 55 | B95-9301 | Anti-reverse pawl plate | .70 |
| 56 | E27-1301 | Anti-reverse pawl | 1.15 |
| 57 | B95-9501 | Anti-reverse pawl collar | .95 |
| 58 | B95-9602 | Anti-reverse pawl spring A | .60 |
| 59 | B00-8601 | Anti-reverse pawl screw | .35 |
| 60 | E29-6902 | Anti-reverse pawl spring B | 1.40 |
| 61 | E42-0101 | Drive gear | 3.20 |
| 62 | 375-8501 | Drive gear washer | .45 |
| 63 | 634-1301 | Ball bearing B | 6.95 |
| 64 | F11-1502 | Side cover | 6.90 |
| 65 | E13-0501 | Side cover screw | .60 |
| 66 | E41-7902 | Handle assembly | 6.50 |
| 67 | F02-0201 | Handle lock washer | .35 |
| 68 | F03-5601 | Handle lock screw | 1.65 |