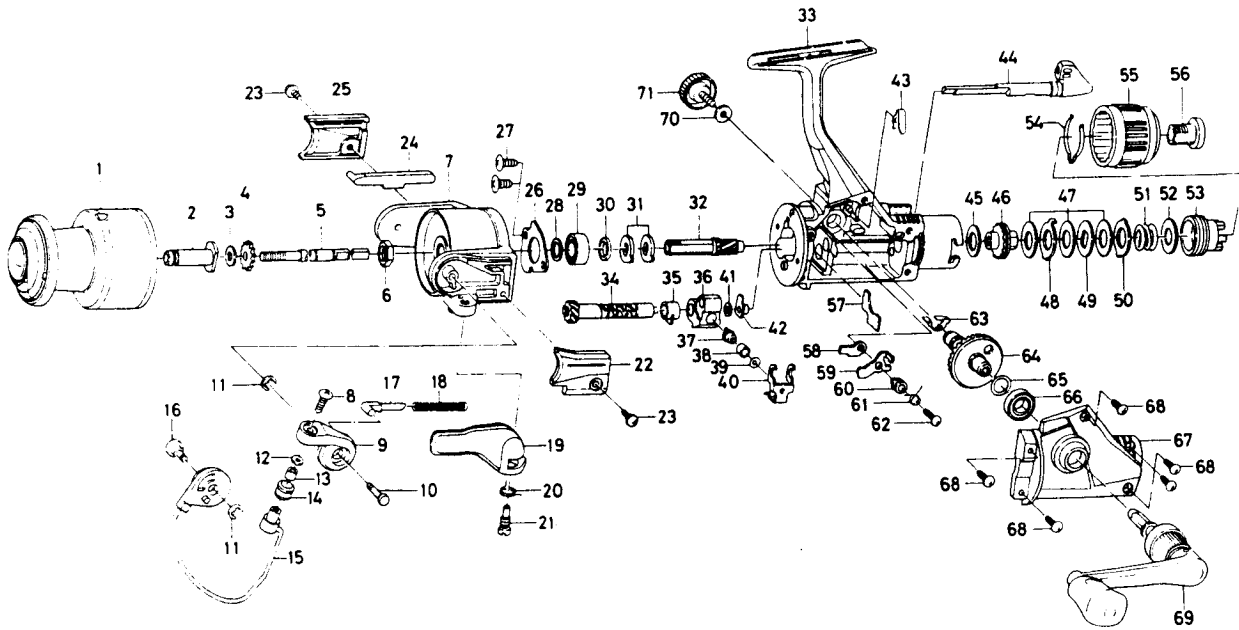


SPINNING REEL — PM755



Key No.	Part No.	Part Name	Price
1	F07-5702	Spool assembly	10.00
2	F07-4601	Spool metal	1.90
3	375-3002	Spool washer	.45
4	E13-1201	Main shaft washer	.95
5	F07-3201	Main shaft	3.00
6	341-9201	Rotor nut	.55
7	E37-3206	Rotor	4.85
8	B67-9304	Line roller screw	.40
9	E37-3301	Bail arm	1.00
10	E37-3401	Bail arm screw	.50
11	320-5901	Bail arm screw retainer	.40
12	B55-4301	Line roller washer	.60
13	B45-1501	Line roller bushing	.90
14	250-3921	Line roller	4.00
15	E49-4501	Bail assembly	1.00
16	E38-3102	Bail trip cam screw	.70
17	E36-8201	Bail spring shaft	.70
18	E37-2401	Bail spring	2.70
19	E37-3601	Trigger lever	.70
20	E36-9901	Trigger spring	1.15
21	E41-7801	Trigger screw	1.65
22	E37-3502	Bail spring cover	.60
23	E36-4202	Bail spring cover screw	1.15
24	E36-8402	Bail trip lever	1.40
25	E36-8505	Bail trip cover	.55
26	F05-7101	Bearing retainer	.60
27	E03-7801	Bearing retainer screw	.60
28	375-8503	Bearing washer	6.95
29	634-1301	Ball bearing A	.70
30	E29-6101	Spacing sleeve	.70
31	E36-9401	Anti-reverse ratchet	5.60
32	F07-5501	Pinion gear	17.35
33	F11-1401	Body assembly	6.15
34	F12-4301	Worm shaft	.70
35	F07-3001	Worm shaft bush	3.20
36	F07-2601	Oscillating slider	

Key No.	Part No.	Part Name	Price
37	E12-2403	Oscillating pawl	4.95
38	E12-4601	Oscillating pawl bush	2.35
39	375-0800	Oscillating pawl washer	.40
40	F07-3301	Oscillating slider cover	1.40
41	B53-6100	Worm shaft washer	.35
42	F05-6901	Worm shaft collar	.95
43	E26-8701	Anti-reverse cam spring	.60
44	F07-2403	Anti-reverse lever	1.70
45	B48-9902	Drag washer A	.45
46	F07-3701	Click gear	2.10
47	B49-0202	Drag washer B	.60
48	B63-8301	Eared washer A	.45
49	B49-0301	Key washer	.45
50	B49-0102	Eared washer B	.40
51	B92-6703	Drag coil spring	.55
52	372-7601	Drag screw washer	2.60
53	F07-6301	Drag screw	.45
54	B74-7702	Drag washer spring	2.65
55	F07-6601	Drag knob	1.45
56	F05-7801	Drag knob screw	.50
57	F08-7201	Shield plate	.70
58	B95-9301	Anti-reverse pawl plate	1.15
59	E27-1301	Anti-reverse pawl	.95
60	B95-9501	Anti-reverse pawl collar	.60
61	B95-9602	Anti-reverse pawl spring A	.35
62	B00-8601	Anti-reverse pawl screw	1.40
63	E29-6902	Anti-reverse pawl spring B	3.20
64	E42-0101	Drive gear	.45
65	375-8501	Drive gear washer	6.95
66	634-1301	Ball bearing B	6.90
67	F11-1501	Side cover	.60
68	E13-0501	Side cover screw	6.50
69	E41-7902	Handle assembly	.35
70	F02-0201	Handle lock washer	1.65
71	F03-5601	Handle lock screw	