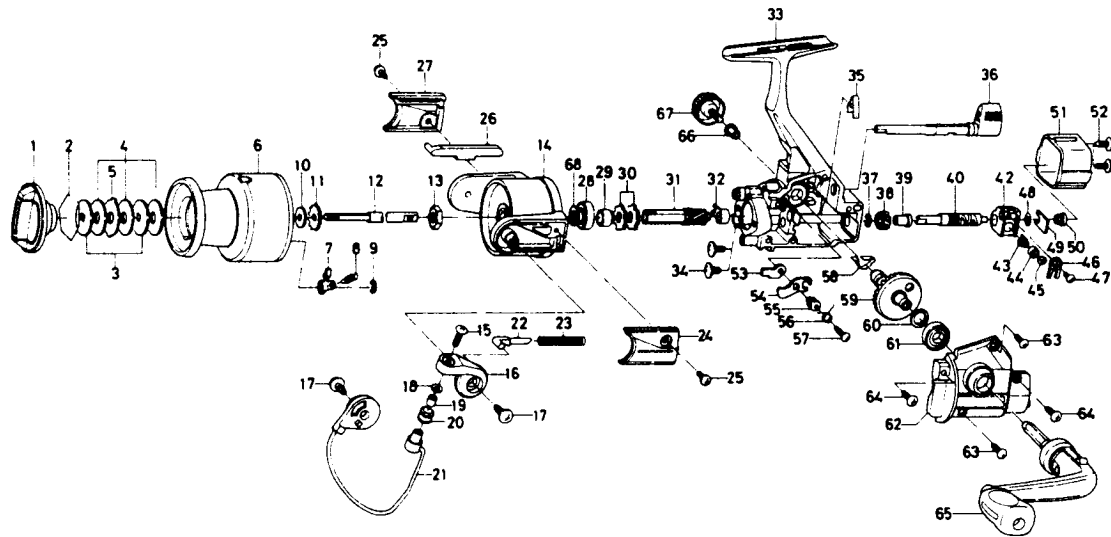


SPINNING REEL PR1300H



Key No. 2-9

E39-0801 Spool assembly

Key No.	Parts No.	Parts Name
1	E36-5801	Drag knob
2	171-7701	Drag washer retainer
3	E13-6101	Key washer
4	E13-6003	Drag washer
5	373-3603	Eared washer
6	E39-0701	Spool assembly
7	807-5303	Click pawl
8	E40-3101	Click spring
9	320-5901	Click retainer
10	E39-4001	Spool washer
11	E36-5301	Click gear
12	E36-3901	Main shaft
13	341-9201	Rotor nut
14	E36-4301	Rotor
15	B67-9305	Line roller screw
16	F00-8501	Bail arm
17	E00-7102	Bail arm screw
18	B55-4301	Line roller washer
19	B45-1501	Line roller bushing
20	E22-5101	Line roller
21	E36-4701	Bail
22	E36-4401	Bail spring shaft
23	E39-0501	Bail spring
24	E36-4602	Bail spring cover
25	E36-4201	Bail spring cover screw
26	E36-5001	Bail trip lever
27	E36-5102	Bail trip cover
28	L03-6601	Ball bearing A
29	E36-3601	Spacing sleeve
30	E27-1501	Anti-reverse ratchet
31	E36-9201	Pinion gear
32	E24-3301	Pinion holder
33	E36-2701	Body
34	E03-7801	Bearing retainer screw

Key No.	Parts No.	Parts Name
35	E26-8701	Anti-reverse cam spring
36	E36-3201	Anti-reverse lever
37	B33-9801	Worm shaft gear retainer
38	F00-5601	Worm shaft gear
39	E39-3501	Worm shaft bush
40	E27-1601	Worm shaft
42	F02-4301	Oscillating slider
43	E19-1201	Oscillating pawl
44	E19-1301	Oscillating pawl bush
45	375-0800	Oscillating pawl washer
46	E24-4901	Oscillating slider cover
47	E15-0202	Oscillating slider cover screw
48	375-4100	Worm shaft washer
49	E36-3801	Worm shaft retainer
50	E39-3601	Worm shaft collar
51	E36-4001	Rear cover
52	E24-8102	Rear cover screw
53	B95-9301	Anti-reverse pawl plate
54	E27-1301	Anti-reverse pawl
55	B95-9501	Anti-reverse pawl collar
56	B95-9602	Anti-reverse pawl spring A
57	B00-8601	Anti-reverse pawl screw
58	E24-5301	Anti-reverse pawl spring B
59	F00-5701	Drive gear
60	375-8500	Drive gear washer
61	634-1301	Ball bearing B
62	F00-8301	Left side cover
63	E15-8601	Side cover screw A
64	E15-8602	Side cover screw B
65	F02-0101	Handle assembly
66	501-8501	Handle collar
67	F03-5602	Handle lock screw
68	375-8503	Ball bearing retaining washer