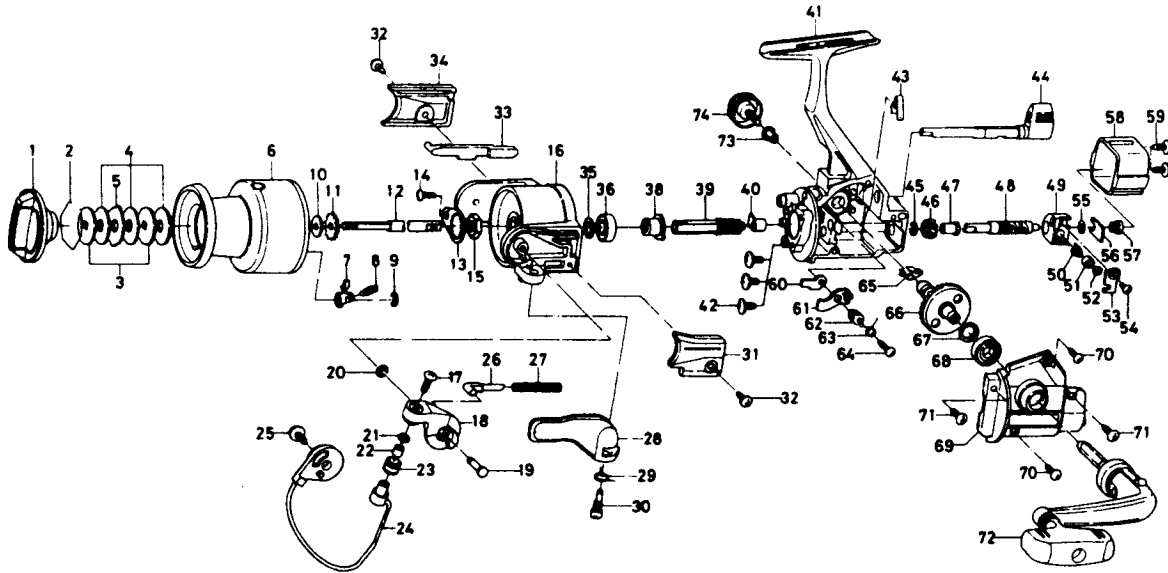


SPINNING REEL PR1605H/2005H



Key No. 2 9
F39 1401

Spool assembly

Key No.	Parts No.	Parts Name
1	E37 8801	Drag knob
2	F71 7701	Drag washer retainer
3	F01 2001	Key washer
4	E13 6003	Drag washer
5	F73 3603	Eared washer
6	E39 1301	Spool assembly
7	B07 5303	Click pawl
8	E40 3101	Click spring
9	F320 5901	Click retainer
10	E39 7901	Spool washer
11	F270 6901	Click gear
12	E37 7001	Main shaft
13	B66 2601	Rotor nut holding plate
14	B93 3001	Rotor nut holding plate screw
15	B10 5701	Rotor nut
16	E40 5301	Rotor
17	B67 9305	Line roller screw
18	E36 9501	Bail arm
19	E36 9601	Bail arm screw
20	F320 5901	Bail arm screw retainer
21	B55 4301	Line roller washer
22	B45 1501	Line roller bushing
23	E22 5101	Line roller
24	E37 9401	Bail
25	E00 7102	Bail trip cam screw
26	E36 4401	Bail spring shaft
27	E37 7801	Bail spring
28	E36 9801	Trigger lever
29	E36 9901	Trigger spring
30	E37 0001	Trigger screw
31	F01 1701	Bail spring cover
32	E36 4201	Bail spring cover screw
33	F01 1601	Bail trip lever
34	E37 8201	Bail trip cover
35	F71 2827	Ball bearing retaining washer
36	B54 6001	Ball bearing A
38	E40 1001	Anti-reverse ratchet
39	E37 6601	Pinion gear
40	B88 0001	Pinion collar
41	E37 5502	Body
42	E03 7801	Bearing retainer screw

Key No.	Parts No.	Parts Name
43	E26 8701	Anti-reverse cam spring
44	E37 6001	Anti-reverse lever
45	F320 5901	Worm shaft gear retainer
46	E37 6501	Worm shaft gear
47	E39 3501	Worm shaft bush
48	E37 6401	Worm shaft
49	E37 6301	Oscillating slider
50	E19 1201	Oscillating pawl
51	E19 1301	Oscillating pawl bush
52	F75 0800	Oscillating pawl washer
53	E37 6901	Oscillating slider cover
54	E40 1501	Oscillating slider cover screw
55	F75 4100	Worm shaft washer
56	E36 3801	Worm shaft retainer
57	E39 3601	Worm shaft collar
58	E37 7601	Rear cover
59	E24 8102	Rear cover screw
60	B96 5301	Anti-reverse pawl plate
61	E27 7002	Anti-reverse pawl
62	B96 5501	Anti-reverse pawl collar
63	B96 5601	Anti-reverse pawl spring A
64	B00 9701	Anti-reverse pawl screw
65	E37 7201	Anti-reverse pawl spring B
66	E37 7101	Drive gear
67	F73 7800	Drive gear washer
68	F31 6901	Ball bearing B
69	E37 7302	Side cover
70	E15 8601	Side cover screw A
71	E15 8602	Side cover screw B
72	E38 7101	Handle assembly
73	E12 7501	Handle collar
74	F03 5602	Handle lock screw

Key No.	Parts No.	Parts Name
2-9	E39 1601	Spool assembly
6	E39 1501	Spool assembly
16	E40 5401	Rotor
24	E38 0701	Bail
41	E37 5504	Body
69	E37 7305	Side cover
72	E38 9101	Handle assembly