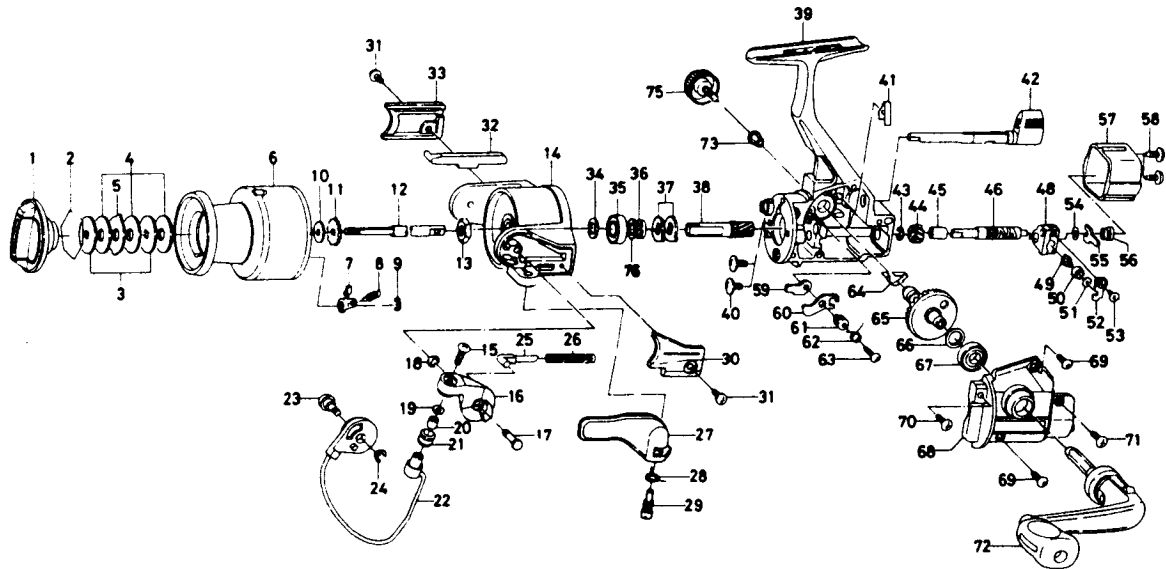


# SPINNING REEL PR705H/1005H



Key No. 2 9  
E39 1001 Spool assembly

Key No.	Parts No.	Parts Name
1	E36 8901	Drag knob
2	171-7701	Drag washer retainer
3	E13 6101	Key washer
4	E13 6003	Drag washer
5	373 3603	Eared washer
6	E39 0901	Spool assembly
7	807 5303	Click pawl
8	E40 3101	Click spring
9	320 5901	Click retainer
10	E39 4001	Spool washer
11	E36 5301	Click gear
12	E37 2301	Main shaft
13	341 9201	Rotor nut
14	E37 3203	Rotor
15	B67 9305	Line roller screw
16	E37 3301	Bail arm
17	E37 3401	Bail arm screw
18	320 5901	Bail arm screw retainer
19	B55 4301	Line roller washer
20	B45 1501	Line roller bushing
21	E22 5101	Line roller
22	E37 3701	Bail
23	E38 3101	Bail trip cam screw
24	320 5901	Bail trip cam screw retainer
25	E36 8201	Bail spring shaft
26	E37 2401	Bail spring
27	E37 3601	Trigger lever
28	E36 9901	Trigger spring
29	E37 0001	Trigger screw
30	E37 3501	Bail spring cover
31	E36 4201	Bail spring cover screw
32	E36 8401	Bail trip lever
33	E36 8501	Bail trip cover
34	375 8503	Bail bearing retaining washer
35	634 1301	Bail bearing
36	E29 6101	Spacing sleeve
37	E36 9401	Anti-reverse ratchet
38	F00 5301	Pinion gear
39	F00 9402	Body
40	E10 7401	Bearing retainer screw
41	E26 8701	Anti-reverse cam spring

Key No.	Parts No.	Parts Name
42	E36 3206	Anti-reverse lever
43	B33 9801	Worm shaft gear retainer
44	F03 6601	Worm shaft gear
45	E29 6501	Worm shaft bush
46	E39 3801	Worm shaft
48	F01 1003	Oscillating slider
49	F12 2403	Oscillating pawl
50	E12 4601	Oscillating pawl bush
51	375 0800	Oscillating pawl washer
52	E11 6801	Oscillating slider cover
53	E15 0202	Oscillating slider cover screw
54	B53 6100	Worm shaft washer
55	E29 6701	Worm shaft retainer
56	E29 6601	Worm shaft collar
57	F01 0301	Rear cover
58	E24 8102	Rear cover screw
59	B95 9301	Anti-reverse pawl plate
60	E27 1301	Anti-reverse pawl
61	B95 9501	Anti-reverse pawl collar
62	B95 9602	Anti-reverse pawl spring A
63	B00 8601	Anti-reverse pawl spring B
64	E29 6901	Anti-reverse pawl spring B
65	E34 1501	Drive gear
66	375 8500	Drive gear washer
67	634 1301	Bail bearing
68	F00 9802	Left side cover
69	E15 8601	Side cover screw A
70	E13 0501	Side cover screw B
71	E15 8602	Side cover screw C
72	F02 0401	Handle assembly
73	501 8501	Handle collar
75	F03 5602	Handle lock screw
76	375 8500	Pinion washer

Key No.	Special Parts	Parts Name
2 9	E39 1201	Spool assembly
6	E39 1101	Spool assembly
14	E38 2303	Rotor
22	E38 2601	Bail
39	F00 9404	Body
68	F00 9805	Left side cover