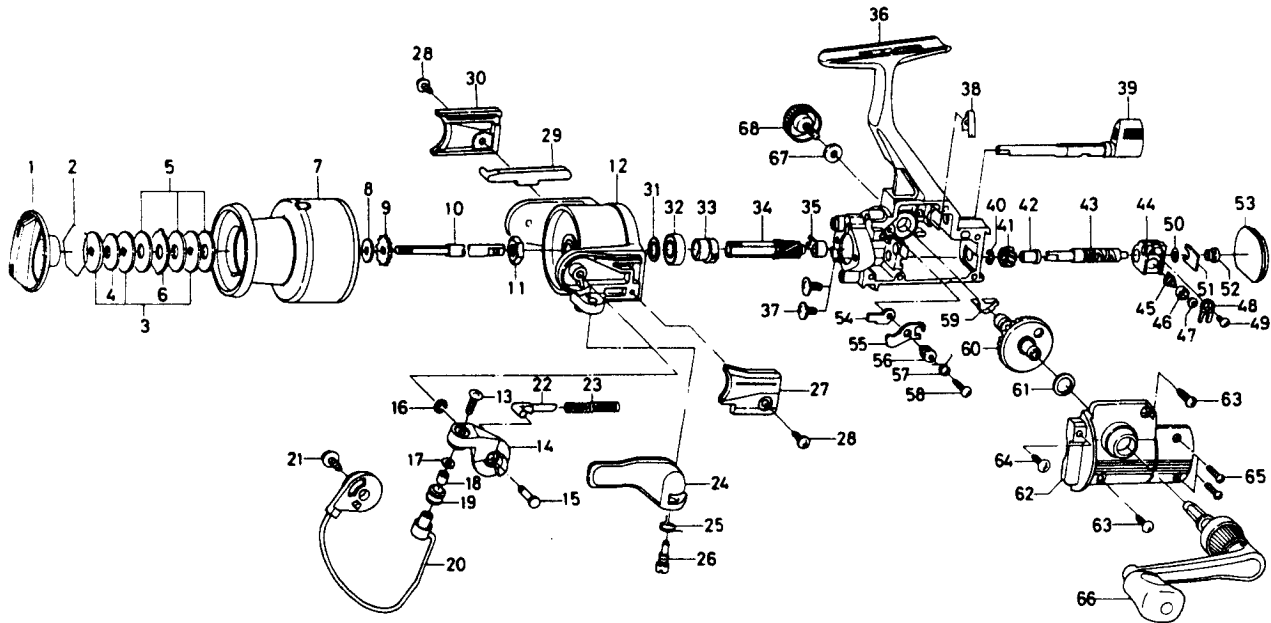


SPINNING REEL — PS1305



Key No. 2-7
E41-7201 Spool assembly 10.00

Key No.	Part No.	Part Name	Price	Key No.	Part No.	Part Name	Price
1	F05-1001	Drag knob	1.50	35	E24-3301	Pinion collar	.70
2	171-7701	Drag washer retainer	.35	36	E41-6901	Body	9.50
3	E13-6103	Key washer	.80	37	E03-7801	Bearing retainer screw	.60
4	F05-0901	Drag spring washer	.95	38	E26-8701	Anti-reverse cam spring	.55
5	E13-6003	Drag washer	.70	39	E36-3211	Anti-reverse lever	1.70
6	373-3601	Eared washer	.55	40	B33-9801	Worm shaft gear retainer	.35
7	E41-7301	Spool assembly	N/A	41	E41-7101	Worm shaft gear	1.60
8	E39-4001	Spool washer	.60	42	E39-3501	Worm shaft bush	.90
9	E36-5301	Click gear	.60	43	E27-1601	Worm shaft	7.00
10	E36-3901	Main shaft	2.40	44	F02-4301	Oscillating slider	3.70
11	341-9201	Rotor nut	.55	45	E19-1202	Oscillating pawl	4.95
12	E36-8003	Rotor	5.90	46	E19-1301	Oscillating pawl bush	2.80
13	B67-9304	Line roller screw	.40	47	375-0800	Oscillating pawl washer	.40
14	E36-9501	Bail arm	1.65	48	E24-4901	Oscillating slider cover	.90
15	E36-9601	Bail arm screw	1.10	49	E15-0203	Oscillating slider cover screw	.70
16	320-5901	Bail arm screw retainer	.50	50	375-4101	Worm shaft washer	.30
17	B55-4301	Line roller washer	.40	51	E36-3801	Worm shaft retainer	.70
18	B45-1501	Line roller collar	.60	52	E39-3601	Worm shaft collar	1.10
19	250-3921	Line roller	.90	53	E36-7506	Rear cover	2.60
20	E37-1401	Bail	4.75	54	B95-9301	Anti-reverse pawl plate	.70
21	E00-7101	Bail trip cam screw	.45	55	E27-1301	Anti-reverse pawl	1.15
22	E36-4401	Bail spring shaft	.70	56	B95-9501	Anti-reverse pawl collar	.95
23	E39-0601	Bail spring	.60	57	B95-9602	Anti-reverse pawl spring A	.60
24	E36-9801	Trigger lever	2.70	58	B00-8601	Anti-reverse pawl screw	.35
25	E36-9901	Trigger spring	.70	59	E24-5301	Anti-reverse pawl spring B	1.60
26	E41-7801	Trigger screw	1.15	60	F00-7101	Drive gear	3.70
27	E36-9703	Bail spring cover	1.15	61	375-8501	Drive gear washer	.35
28	E36-4201	Bail spring cover screw	.60	62	E36-7302	Side cover	3.90
29	E36-5002	Bail trip lever	1.40	63	E15-8601	Side cover screw A	.60
30	E36-5103	Bail trip cover	1.20	64	E15-8602	Side cover screw B	.60
31	375-8503	Bearing washer	.60	65	E11-9601	Side cover screw C	.70
32	L03-6601	Ball bearing	6.80	66	E41-7901	Handle assembly	7.75
33	F03-7501	Anti-reverse ratchet	1.10	67	F02-0201	Handle lock washer	.35
34	E41-7001	Pinion gear	5.15	68	F03-5601	Handle lock screw	1.65