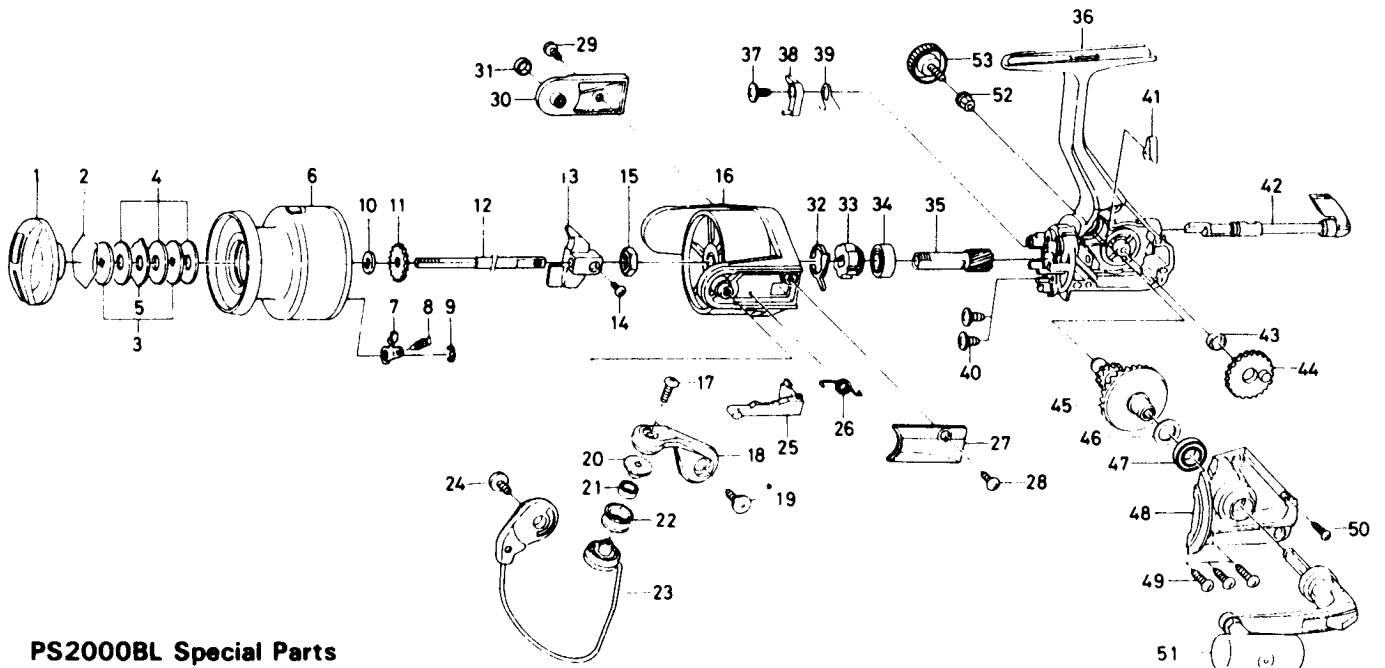


SPINNING REEL — PS1600BL/2000BL



PS2000BL Special Parts

Key No.	Parts No.	Parts Name
2-9	E 52-4501	Spool assembly
6	E 52-4601	Spool assembly
16	F 10-7205	Rotor
23	F 19-4501	Bail assembly
25	E 46-3101	Bail trip lever
36	F 19-3803	Body assembly
48	E 50-5704	Side cover