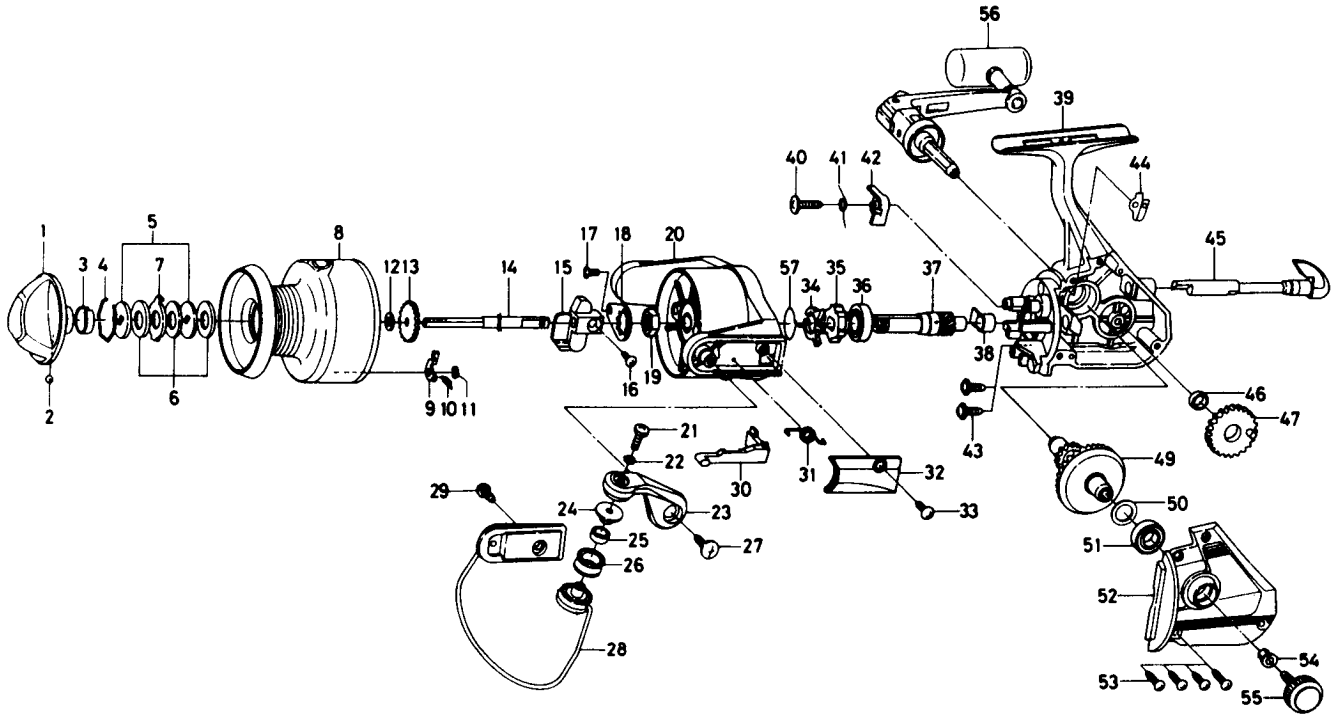


SPINNING REEL PS2600/4000BL



No. 4-11 L13-5501

Spool assembly

Key

Key No.	PartsNo.	Parts Name
1	E50-9701	Drag knob
2	635-4701	Click ball
3	B32-8701	Click leaf spring
4	171-7701	Drag washer retainer
5	L03-1301	Key washer
6	373-3712	Drag washer
7	B89-9501	Eared washer
8	L13-5601	Spool assembly
9	B07-8201	Click pawl
10	145-2101	Click spring
11	320-1402	Click retainer
12	L10-4901	Spool washer
13	L02-1401	Click gear
14	L10-7302	Main shaft
15	L10-6601	Oscillating slider
16	351-8901	Oscillating slider screw
17	L01-1702	Rotor nut holding plate
18	B02-1601	Rotor nut holding plate screw
19	340-8301	Rotor nut
20	L10-6308	Rotor
21	E45-4001	Line roller screw
22	160-8401	Lock washer
23	E50-9901	Bail arm
24	F08-8301	Line roller collar
25	F05-5601	Ballbearing A
26	F05-8901	Line roller
27	E00-7602	Bail arm screw
28	E50-7301	Bail assembly
29	L01-1701	Bail trip cam screw
30	L10-6901	Bail trip lever
31	L06-7001	Bail spring
32	L10-5101	Bail spring cover
33	E36-4201	Bail spring cover screw

Key

Key No.	PartsNo.	Parts Name
34	L06-6801	Anti-reverse pawl spring A
35	L09-1401	Anti-reverse ratchet
36	637-6101	Ballbearing B
37	L10-7701	Pinion gear
38	B88-0001	Pinion collar
39	L13-5701	Body assembly
40	L06-6501	Anti-reverse pawl screw
41	L13-7201	Anti-reverse pawl spring B
42	L06-6301	Anti-reverse pawl
43	L01-1601	Bearing retainer screw
44	E01-1801	Anti-reverse cam spring
45	L10-0708	Anti-reverse lever
46	B47-4101	Oscillating gear collar
47	L11-7001	Oscillating gear
49	B78-9501	Drive gear
50	371-2800	Drive gear washer
51	B54-6001	Ballbearing C
52	L12-6709	Sidecover
53	B83-5001	Sidecover screw
54	501-8401	Handle collar
55	L00-9101	Handle lock screw
56	L05-9001	Handle assembly
57	F21-2001	Anti-reverse pawl spring C

PS4000BL Special Parts

Key No.	PartsNo.	Parts Name
4-11	L13-5801	Spool assembly
8	L13-5901	Spool assembly
20	L10-7008	Rotor
28	E50-7401	Bail assembly
30	L10-7101	Bail trip lever
39	L13-5702	Body assembly
52	L12-6710	Side cover